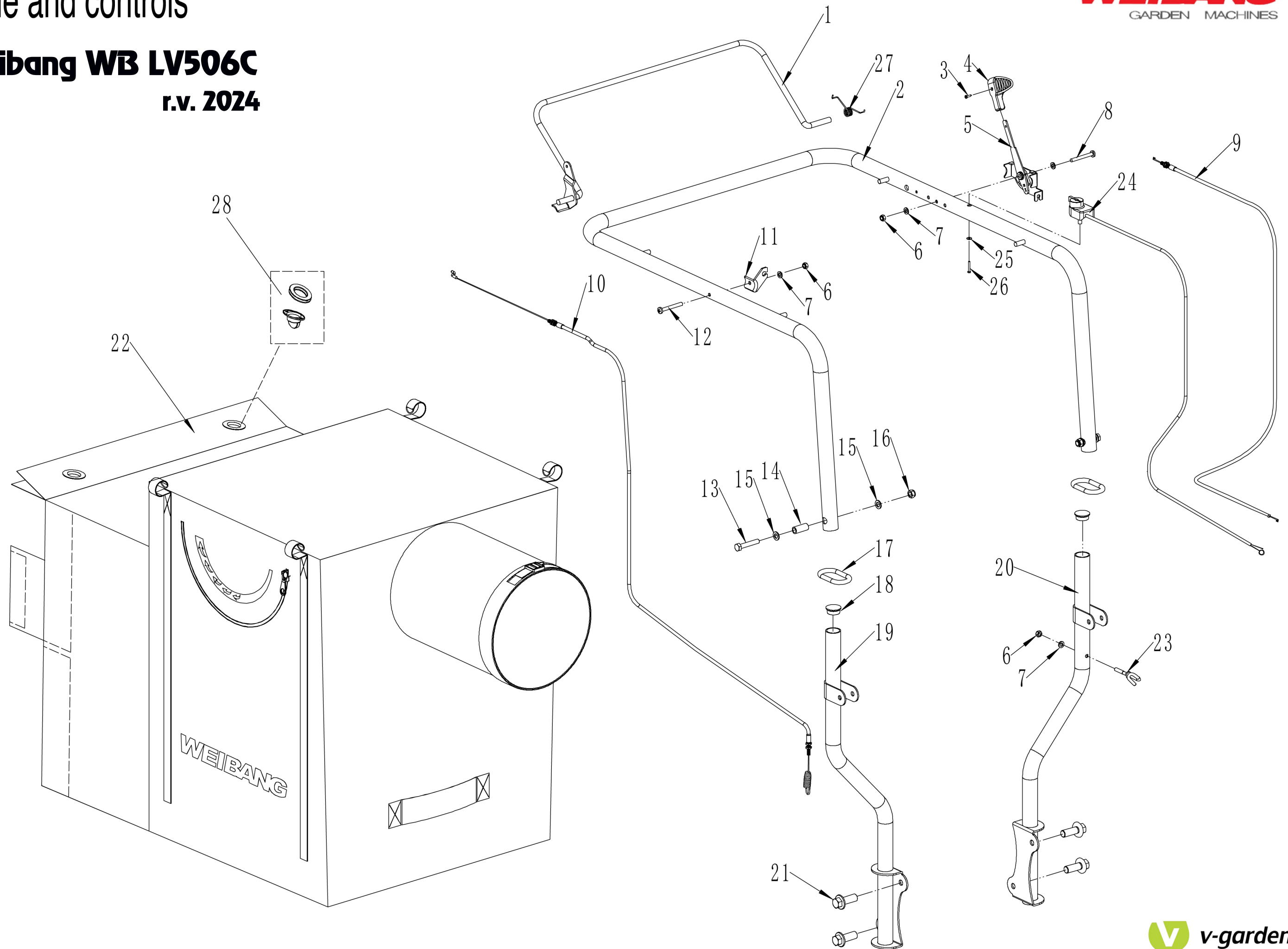


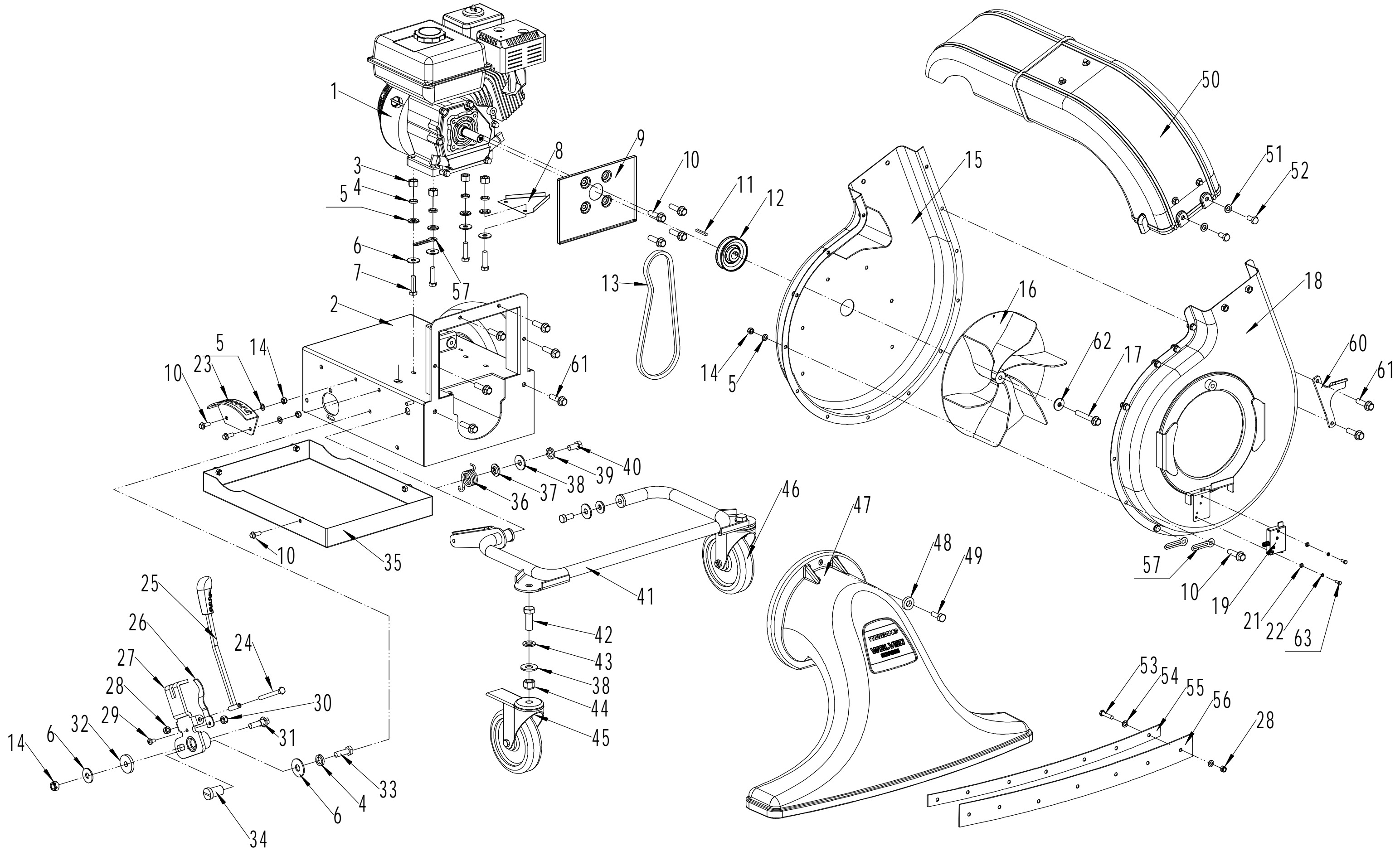
1 Handle and controls

Weibang WB LV506C r.v. 2024



Part1 Handle And Controls Spare Parts		
No.	ID Zboží	Název
1	LVSA01000/22	Cluth Lever Weldment
2	LVSA02000/49	Upper Handle Welding
3	0106003013	Screw - ST2.9x13
4	5380510010	Grip - Throttle Lever
5	5360509010	Frame - Throttle Control
6	0202006000	Lock Nut - M6
7	0301006000	Washer - M6
8	0104006055	Screw - M6x55
9	LVSA05010	Throttle Cable
10	LVSD07020	Clutch Cable
11	LVSA18010/02	Cable Bracket
12	0104006040	Screw - M6x40
13	0101008045	Bolt - M8x45
14	LVSA08010/02	Handle Partition
15	0301008000	Washer - M8
16	0202008000	Lock Nut - M8
17	LVSA09010/22	Link Chain
18	LVSA12010	Handle Plug
19	LVSA10000/49	Right-lower Handle Welding
20	LVSA11000/49	Left-lower Handle Welding
21	0102010020	Bolt - M10x20
22	LVSA13000	Grass Bag
23	LVSA06000/01	Hook - Starter Rope
24	LVSA16010	Flameout Switch
25	0302003000	Washer - M3
26	0104003020	Screw - M3x20
27	LVSA06030/01	Return Spring
28	LVSA13170	Hasp

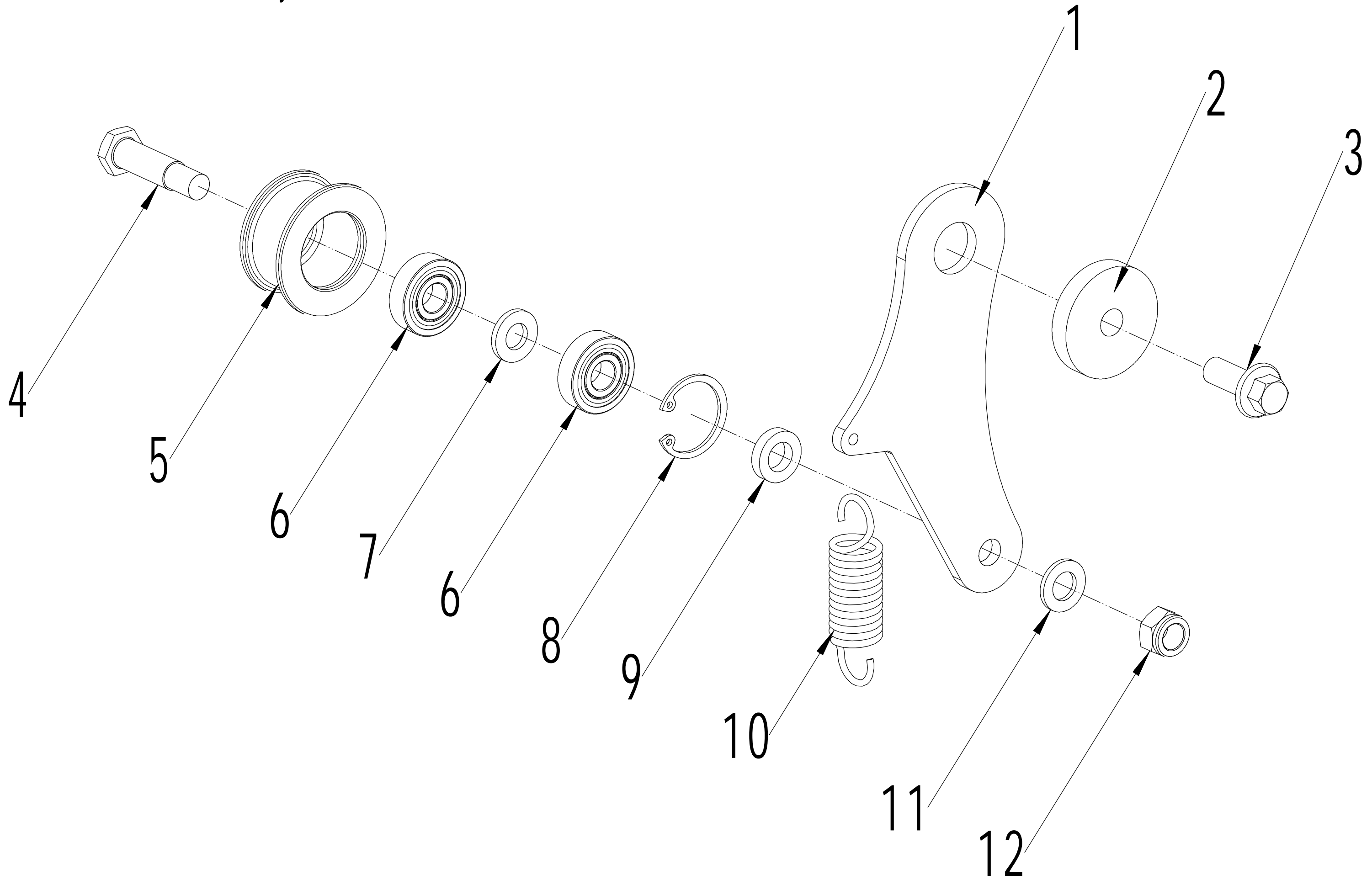
2 Chassis Assembly



Part2 Main Body Spare Parts		
No.	ID Zboží	Název
1	G200F	Engine
2	LVDB01000/49	Chassis Weldment
3	0201008000	Nut-M8
4	0401008000	Spring Washer-M8
5	0301008000	Washer-M8
6	0302008000	Washer-M8
7	0101008040	Bolt-M8×40
8	LVSB02010/02	Guid Plate
9	LVSB03010/49	Engine Connection Plate
10	0102008016	Bolt-M8×16
11	LVSA14010	Key-4.7X4.7X47
12	LVSB04010/02	Engine Pulley
13	V13/750	V Belt-13X750
14	0202008000	Lock Nut-M8
15	LVSB05000/49	Turbin Shell (Back Half)
16	LVSB06000/22	Turbin
17	5340113021	Blade Bolt
18	LVSB07000/49	Turbin Shell (Front Half)
19	8SH0601020	Switch
21	0301005000	Washer-M5
22	0401005000	Spring Washer - M5
23	LVSB08021/01	Graduator
24	0101006055	Bolt-M6×55
25	LVSB08000	Handle - Height Adjuster
26	5380314010/02	Spring
27	LVSB09000/22	Plate - Height Adjuster
28	0202006000	Lock Nut-M6
29	0108005012	Screw-M5x12
30	0202005000	Lock Nut-M5
31	LVSB10010/02	Bolt
32	0302008000	Washer-M8
33	0101008025	Bolt-M8×25
34	LVSB11010/02	Spacer
35	LVSB12000/49	Cover
36	LVSB13010	Spring
37	LVSB14010/02	Spacer 1
38	0302012000	Washer-M12
39	0401012000	Spring Washer-M12
40	0101012025	Bolt-M12×25
41	LVSB15000/49	Wheel Bracket
42	0101012040	Bolt-M12×40
43	0301012000	Washer-M12
44	0202012000	Lock Nut-M12
45	LVSB17010	Universal Wheel Brakes

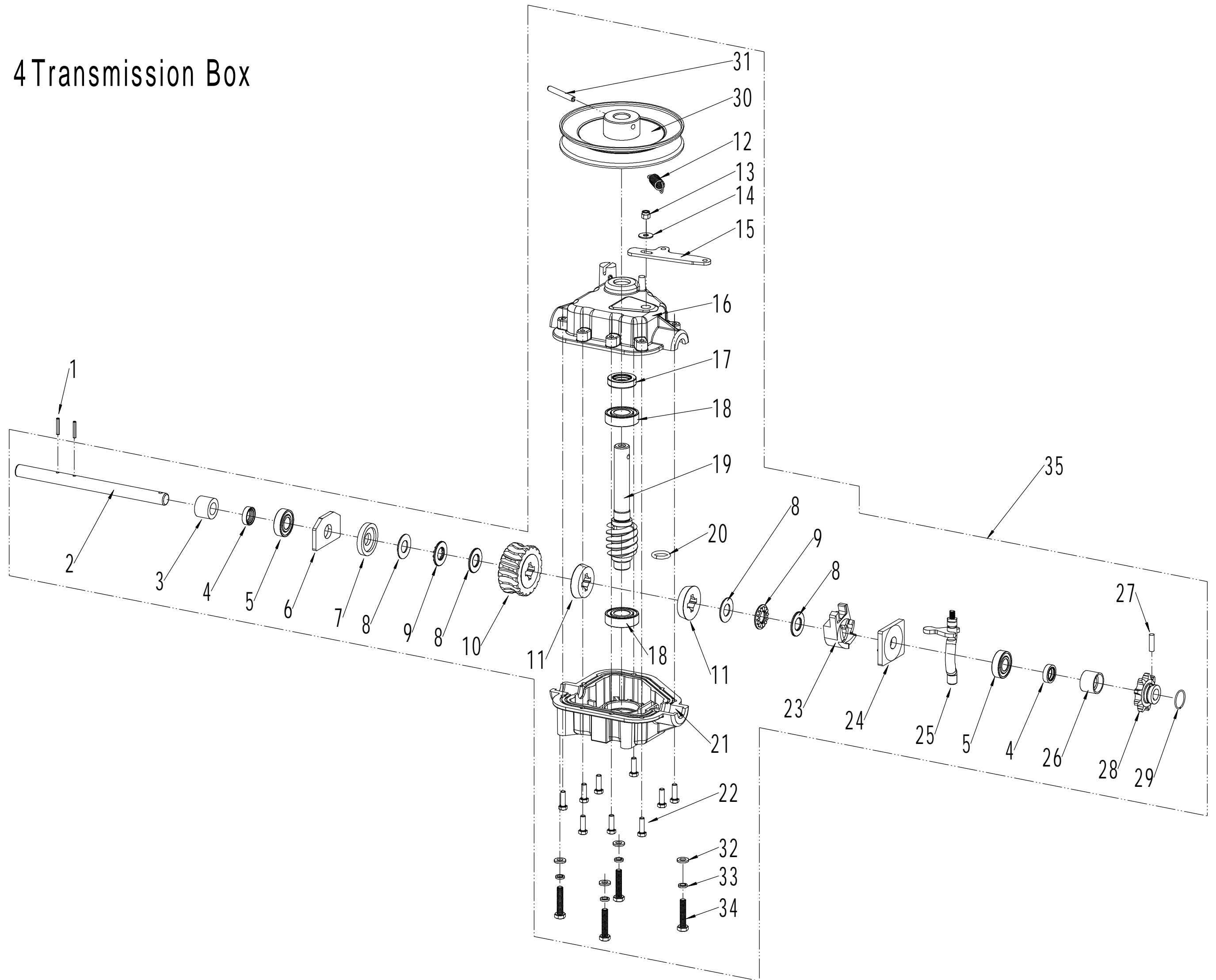
Part2 Main Body Spare Parts		
No.	ID Zboží	Název
46	LVSB16010	Universal Wheels
47	LVSB18010	Nozzle
48	LVSB22010/02	Spacer
49	0101010025	Bolt-M10×25
50	LVSB21000	Discharge Chute
51	0301010000	Washer-M10
52	0101010016	Bolt-M10×16
53	0101006020	Bolt-M6×20
54	0301006000	Washer-M6
55	LVSB19010/22	Clamp
56	LVSB20010	Spacer
57	40E0109000	Pressing Line Plate
60	LVSA15000	Location-limited Plate
61	0102008016	Bolt-M8×20
62	LVSA06020/04	Dish Washer
63	0101005016	Bolt - M5*16

3 Tensional Pulley



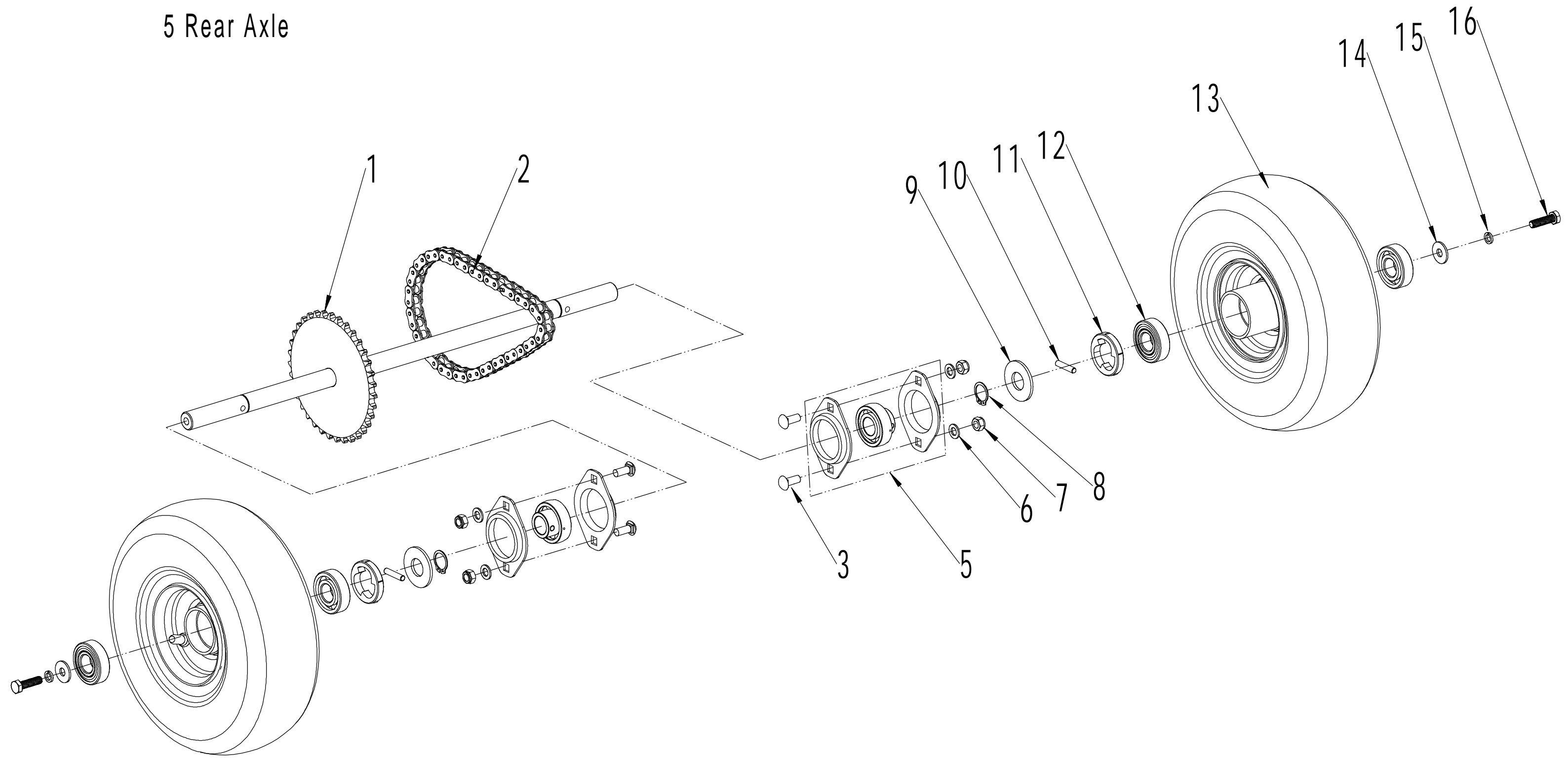
Part3 Tensional Pulley Spare Parts		
No.	ID Zboží	Název
1	LVSC02010/02	Tensional Plate
2	LVSC01010/02	Tensional Plate Spacer
3	0102008025	Bolt - M8x25
4	5340131010	Tensional Pulley Bolt
5	5340128010	Tensional Pulley
6	609/2RS	Bearing
7	5340130010/02	Spacer 2
8	0901024000	Internal Circlip - 24mm
9	LVSC04010/02	Spacer 1
10	LVSC03010	Spring
11	0301008000	Washer - M8
12	0202008000	Lock Nut - M8

4 Transmission Box



Part4 Transmission Box Spare Parts		
No.	ID Zboží	Název
1	HQ10118010	Pin
2	SW8002A08/04	Transmission Axle
3	HQ10111010	Bearing
4	HQ10110010	Oil Seal Ring
5	R8	Bearing
6	HQ10121010/02	Spacer
7	HQ10120010	Spacer
8	HQ10115010	Spacer
9	HQ10116010	Bearing
10	SW8002A02	Worm Wheel
11	SW8002A03	Taper Bush
12	HQ10109010	Spring
13	0202005000	Lock Nut - M5
14	0302005000	Washer - M5
15	LVDD04010/02	Connecting Rod
16	SW8002A06	Lower Shield
17	1501016030	Seal Ring
18	6003/2RZ	Bearing
19	SW8002A01/04	Worm
20	HQ10107010	O Ring
21	SW8002A05	Upper Shield
22	0106005018	Screw - M5x18
23	HQ10113011	Cam A
24	HQ10112011	Cam B
25	HQ10106010/04	Axle Weldment
26	HQ10111020	Bearing
27	0701004022	Pin - 4x18
28	SW8002A09/02	Drive Chain Wheel
29	SW8002A10	Check Ring
30	LVDD03000/02	Pulley
31	0701005040	Pin - 5x40
32	0401006000	Washer - M6
33	0401006000	Spring Washer - M6
34	0101006030	Bolt - M6x30
35	YLV50B	Transmission Box

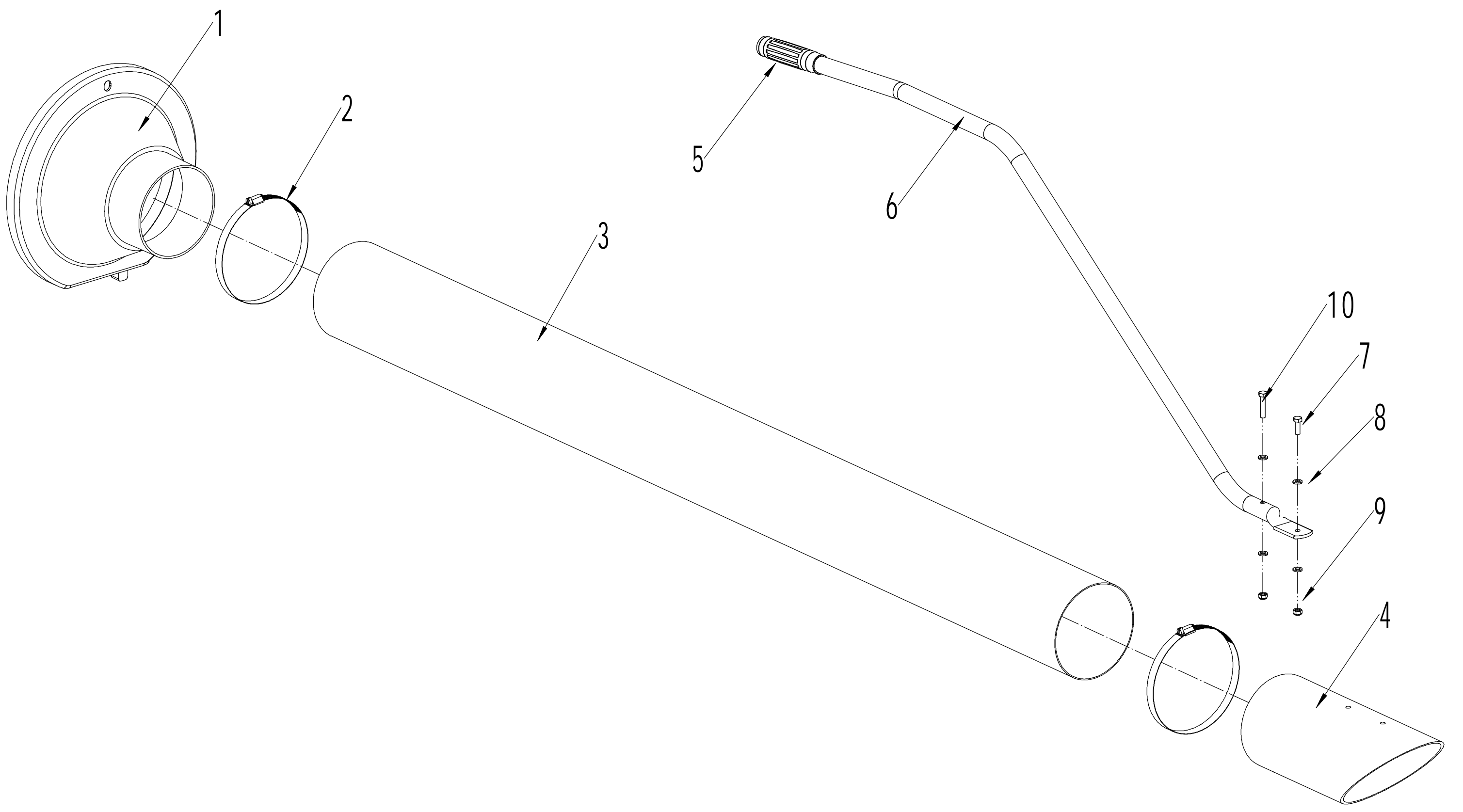
5 Rear Axle



Part5 Rear Axle Spare Parts

No.	ID Zboží	Název
1	LVDE01000/22	Rear Axle Weldment
2	08A0164	Chain
3	0107008020	Bolt - M8x20
5	PFLSA204	Bearing
6	0301008000	Washer - M8
7	0202008000	Lock Nut - M8
8	1001020000	Check Ring - M20
9	SW805102	Spacer
10	0702006029	Pin - 6x29
11	SW800401	Cluth Bush
12	6204/2RZ	Bearing
13	LVLZ012	Rear Wheel
14	0302008000	Spacer - M8
15	0401008000	Spring Washer - M8
16	0101008020	Bolt - M8x20

6 Vacuum Nozzle



Part6 Vacuum Nozzle Spare Parts

No.	ID Zboží	Název
1	LVSF01010	Air Inlet
2	LVSF0511	Clamp Ring
3	LVSF02013	Hose
4	LVSF0610	Nozzle
5	SW801604	Handle Sheath
6	LVSF04010/22	Handle
7	0101006020	Bolt - M6x20
8	0301006000	Spacer
9	0202006000	Lock Nut - M6
10	0101006035	Bolt - M6x35