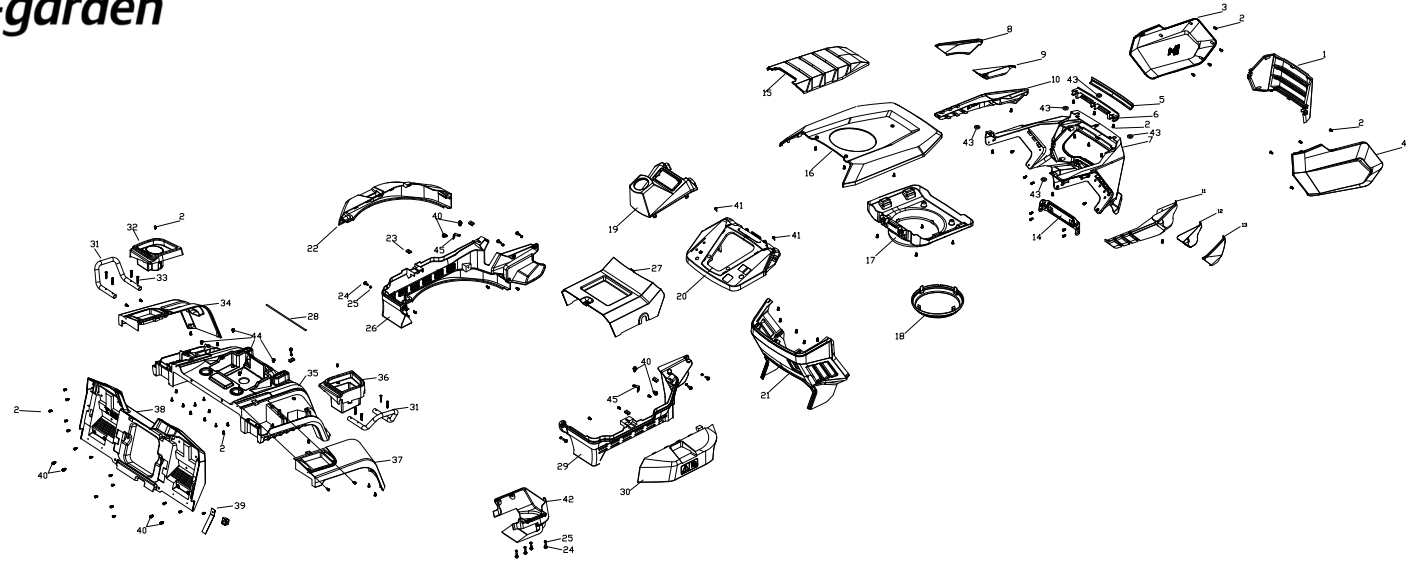
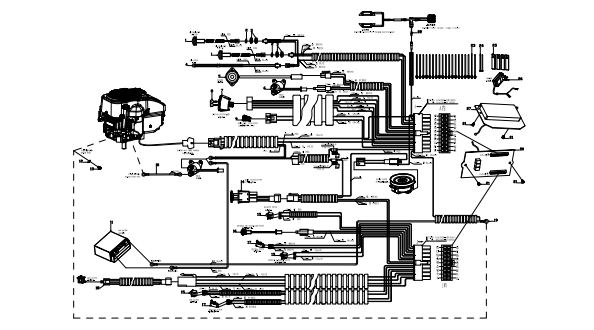
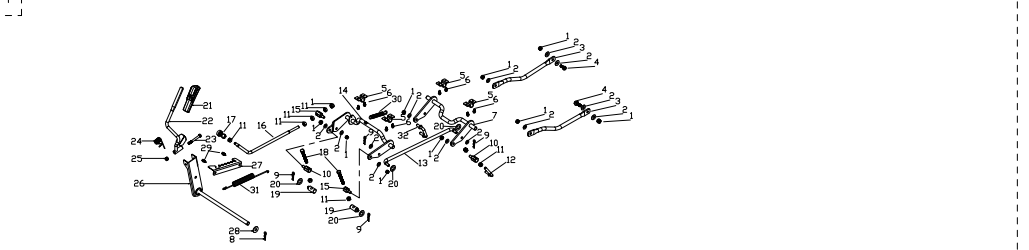
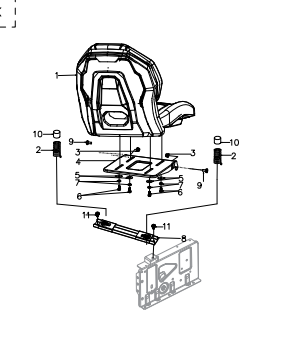
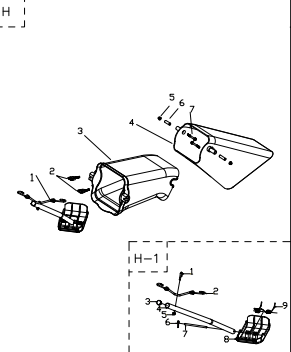
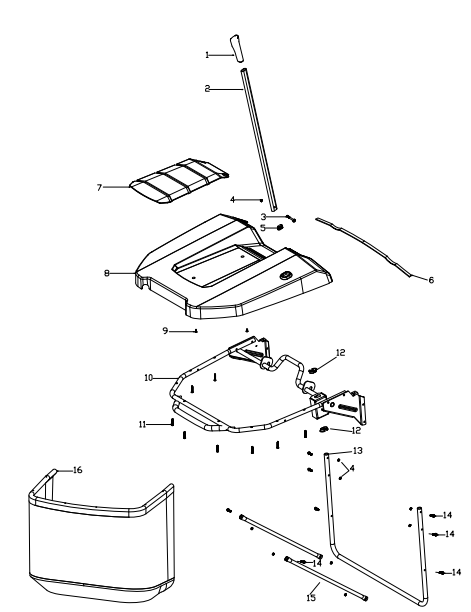
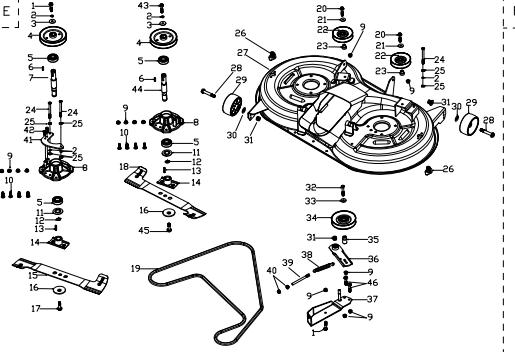
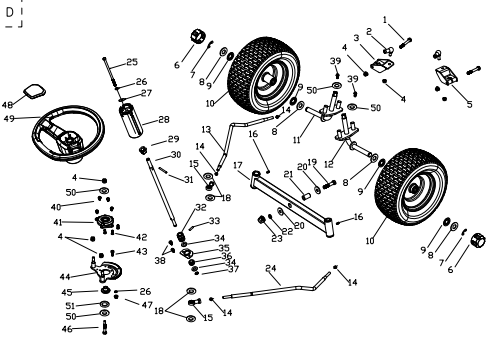
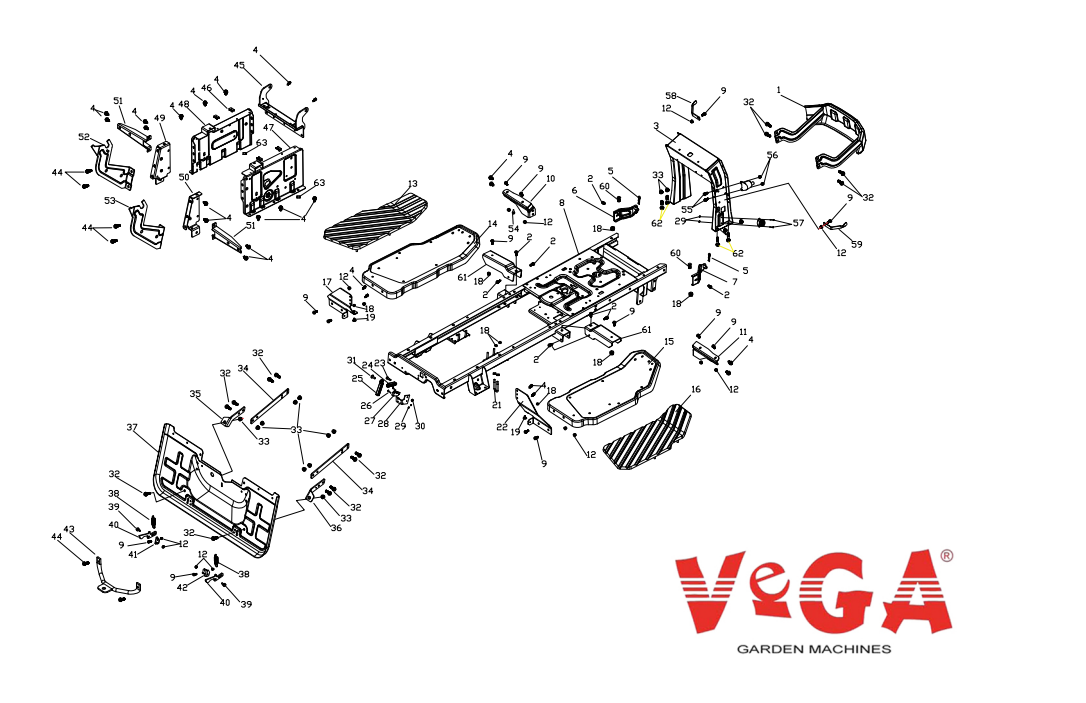
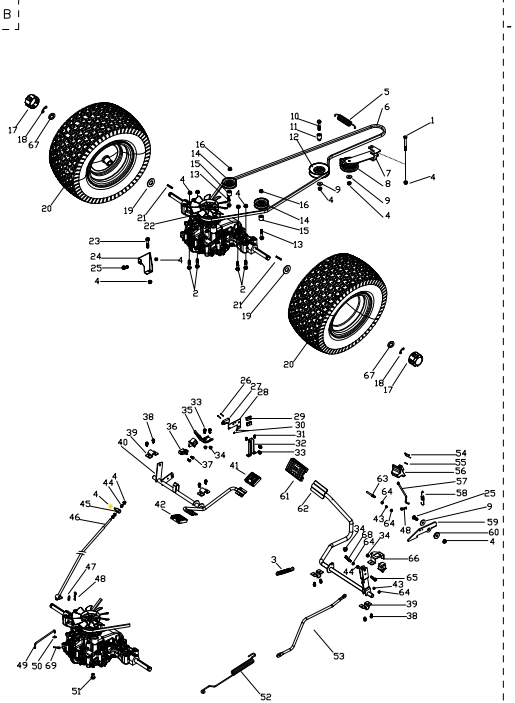


VeGA T92HD

r.v. 2025



24001015-T92H-L3

Pos	Part No	Description	Qty
A-01	GR01X000010	throttle Lever	1
A-02	B3067B00000	Screw	2
A-03	T09204U0000	throttle fixed plate	1
A-04	T09204V0000	Cable	1
A-05	Y452VLC1100	Engine LC1P92F-1	1
A-06	B3001B32000	Screw 3/8"-16UNCx1.25"	4
A-07	T0920120000	Pulley Sleeve	1
A-08	T0920110000	Engine Pulley	1
A-09	T09201Y9000	Spring	1
A-10	T0920130000	clutch	1
A-11	T0920130100	Sleeve	1
A-12	B1001B75000	Blade Bolt 7/16"-20UNFx3"	1
A-13	T09204E0000	Washer	1
A-14	T09204F0000	escape-pipe	1
A-15	B600MB00000	Washer 8,5x13x0,8	2
A-16	B3001W22000	Bolt 5/16-18UNC, L=22mm	2
A-17	T09204D0000	muffler	1
A-18	B1060W06016	Bolt M6x16	8
A-19	B6005W00000	Spring washer 6	6
A-20	B5004W00000	Flat Washer 6x18x1,5	9
A-21	B1078W08020	Bolt M8x20	2
A-22	B6006W00000	Spring washer 8	2
A-23	B5005W00000	Flat Washer 8,5x24x2	2
A-24	T0920410000	muffler fiexed plate	1
A-25	T09204T0000	muffler cover	1
A-26	B2016W00000	Nut M6	7
A-27	T0660422000	Tank cover	1
A-28	T09209V8000	Fuel tank	1
A-29	B1063W06022	Bolt M6x22	1
A-30	B1067W06035	Bolt M6x35	2
A-31	T09202Y1000	Sleeve	2
A-32	T09204W0000	Fuel tank bracket	1
A-33	B3006W16000	Screw M6x16	3
A-34	T0660429000	Clamp	2
A-35	T09204X0000	Fuel Tubing 6x12x410	1
A-36	Y28U0000000	Oil Pipe Fixing Clip	1
A-37	B600NB00000	Washer 12x18x1	1
A-38	T09201V5000	limitation bracket	1
A-39	Y2690000507	Plate	1
A-40	B1053W05016	Bolt M5x16	1
A-41	T09204TX000	Insulation Plate	1
A-42	B3036B00000	Screw 4,2x13	2

Pos	Part No	Description	Qty
B-01	B1098B08060	Bolt M8x60	1
B-02	B1081W08065	Bolt M8x65	4
B-03	T09201V3000	Spring	1
B-04	B2028W00000	Nut M8	12
B-05	T09201T0000	Spring	1
B-06	BA0212X0000	Belt Li2438	1
B-07	T0920140000	Swing arm assembly	1
B-08	T0920160000	Tensioning wheel assembly	1
B-09	B5005W00000	Flat Washer 8,5x24x2	3
B-10	B1080W08050	Bolt M8x50	1
B-11	T0920180000	Sleeve	1
B-12	T0920390000	Idler assembly	1
B-13	B1094W10050	Bolt M10x50	2
B-14	T09201K0000	Idler assembly	2
B-15	T09201L0000	Sleeve	2
B-16	B2005W00000	Nut M10	2
B-17	T09201V403M	Wheel cover	2
B-18	B9034B00000	E-type snap spring Φ 15	2
B-19	B5092W00000	Flat Washer 20,2x43x3	2
B-20	T09201Q0000	Wheel 18-10	2
B-21	BE001W00000	Flat Key 4,775x5x30	2
B-22	T09201XX000	Transmission	1
B-23	B1043W08040	Bolt M8x40	1
B-24	T09201U0000	Fixed plate	1
B-25	B1100B08025	Bolt M8x25	2
B-26	B30B1W24000	Screw M3x18	2
B-27	T06602Q0000	Switch	1
B-28	T09201Y6000	Fixed plate	1
B-29	B2016W00000	Nut M6	2
B-30	B2057W00000	Nut M3	2
B-31	B30B1W18X00	Screw 4,8x12	2
B-32	T09201Y7000	Micro switch support bracket	1
B-33	B1060W06016	Bolt M6x16	4
B-34	B2016W00000	Nut M6	4
B-35	T09201J0000	Fixed plate	1
B-36	T09201F0000	Reverse gear switch pressure plate	1
B-37	B3036W00000	Screw 4,2x13	2
B-38	B3006W16000	Screw M6x16	8
B-39	T09204GX000	T92 Pedal Pressure Plate	4
B-40	T09201E0000	Walking pedal assembly	1
B-41	T06602Y4010	pedal	1
B-42	T06602Y5010	pedal	1
B-43	B6005W00000	Spring washer	2
B-44	B2020W00000	Nut M8	3
B-45	T09201G0000	Hexagonal joint	1
B-46	T09201A0000	Tie rod assembly	1
B-47	B5019W00000	Flat Washer 8,5x16x1,5	1
B-48	BB010W00000	Split Pin 1,8x10x35	2
B-49	T09201V2000	Lever	1
B-50	B5004W00000	Flat Washer 6x18x1,5	1
B-51	T09201W0000	Pin	1
B-52	T09201V0000	Spring	1

B-53	T0920190000	Lever	1
B-54	T09201Y3000	Limit wire clamp	1
B-55	T09201Y4000	Pin	1
B-56	T09209V1013	Brake Lever	1
B-57	T09201Y1000	Parking push rod	1
B-58	T09201Y2000	Spring	1
B-59	T09201H0000	Parking board	1
B-60	T09201I0000	Sleeve	1
B-61	T09201Y5010	pedal	1
B-62	T0920150000	pedal	1
B-63	T09201Y8000	Bolt	1
B-64	B2001W00000	Nut M6	4
B-65	B1065W06030	Bolt M6x30	1
B-66	T09201S0000	Fixed plate	1
B-67	T0920BH0000	Washer	2
B-68	T09201Y8X00	Parking Switch Pressure Plate	1
B-69	BB011W00000	Split Pin 2,5x30	1

Pos	Part No	Description	Qty
C-01	T09202NX057	Bumper Assembly	1
C-02	B3006W16000	Screw M6x16	8
C-03	T09202C0000	Support frame assembly	1
C-04	B3008B20000	Screw M8x20	28
C-05	BB012W00000	Split Pin 2,5x50	2
C-06	T09202Y9000	Left Bracket	1
C-07	T09202X1000	Right Bracket	1
C-08	T0920210057	frame assembly	1
C-09	B1060W06016	Bolt M6x16	14
C-10	T09202D0000	Foot pedal left front fixing plate	1
C-11	T09202E0000	Foot pedal right front fixing plate	1
C-12	B2016W00000	Nut M6	14
C-13	T09209U1000	Left foot cushion	1
C-14	T0920280057	Left floor panel	1
C-15	T0920290057	Right floor panel	1
C-16	T09209U2000	Right foot cushion	1
C-17	T09202A0000	Fixed plate	1
C-18	B2008W00000	Nut M6	8
C-19	B1104W06015	Bolt M6x15	2
C-20	B2001W00000	Nut M6	2
C-21	T09202Y5000	U-shaped protective frame	1
C-22	T09202B0000	Fixed plate	1
C-23	T09202X2000	Bolt	1
C-24	T09209V3000	pressure plate	1
C-25	T09209V4000	pressure plate	1
C-26	B3072W00000	Screw M3x16	2
C-27	T06602Q0000	Switch	1
C-28	T09202V0000	Fixed plate	1
C-29	B2057W00000	Nut M3	4
C-30	B2007W00000	Nut M5	1
C-31	T09209VB000	Screw	1
C-32	B1077W08025	Bolt M8x25	14
C-33	B2028W00000	Nut M8	20
C-34	T09202F0000	extension plate	2
C-35	T09202G0000	Fixed plate	1
C-36	T09202H0000	Fixed plate	1
C-37	T09202R0057	Rear Plate	1
C-38	T06607C0000	Spring	2
C-39	T06607B0000	Bolt	2
C-40	T092079X000	Hook	2
C-41	T06607AL000	Fixed plate	1
C-42	T06607A0000	Fixed plate	1
C-43	T0920B10000	Fixed plate	1
C-44	B1093W10025	Bolt M10x25	6
C-45	T0920270000	Seat bracket assembly	1
C-46	B2060W00000	Nut M5	4
C-47	T0920230000	Support plate	1
C-48	T0920220000	Support plate	1
C-49	T0920240000	Strengthening plate	1
C-50	T0920250000	Strengthening plate	1
C-51	T0920260000	Fixed plate	2
C-52	T09202Q0000	Left bracket assembly	1

C-53	T09202S0000	Right bracket assembly	1
C-54	T09209Q0000	Cushion	1
C-55	B1053W05014	Bolt M5x14	2
C-56	B2029W00000	Nut M5	2
C-57	B30B1W27000	Screw M3x10	2
C-58	T09202Y8000	Left positioning board	1
C-59	T09202Y7000	Right positioning board	1
C-60	B1104W06015	Bolt M6x15	2
C-61	T0920B60000	Fixed plate	2
C-62	B1081W08065	Bolt M8x65	4
C-63	B2004W00000	Nut M10	2

Pos	Part No	Description	Qty
D-1	B1005B10075	Bolt M10x75	2
D-2	T09206W0000	D-shaped universal ball joint assem.	2
D-3	T092061L000	Left steering linkage rocker arm assem.	1
D-4	B2X06W00000	Nut M10	6
D-5	T092061R000	Right steering linkage rocker arm assem.	1
D-6	T09201V403M	Wheel cover	2
D-7	B9034B00000	E-type snap spring Φ 15	2
D-8	B5096W00000	Flat Washer 20,2x32x3	4
D-9	T09201YX000	Washer	4
D-10	T09201P0000	Wheel	2
D-11	T09202K0000	Left front wheel axle assembly	1
D-12	T09202L0000	Right front wheel axle assembly	1
D-13	T092062L000	Left steering linkage	1
D-14	B2004W00000	Nut M10	4
D-15	T09206B0000	Bearing M10	2
D-16	GT001000000	GREASE FITTING M6	2
D-17	T09202IS000	Front axle assembly (with shaft sleeve)	1
D-18	B5044W00000	Flat Washer 10,5x28x2	4
D-19	B1140W12060	Bolt M12x60	1
D-20	B5093W00000	Flat Washer 12,5x36x3	2
D-21	T09202M0000	Sleeve	1
D-22	B600JW00000	Spring washer	1
D-23	B2047W00000	Nut M12	1
D-24	T092062R000	connecting rod	1
D-25	B1113W08160	Bolt M8x160	1
D-26	B6006W00000	Spring washer	2
D-27	B5037W00000	Flat Washer 8x30x2,5	1
D-28	T09209T0000	Steering wheel connector sleeve	1
D-29	T09206C0000	steering column jacket	1
D-30	T0920690000	Steering wheel and steering shaft	1
D-31	B800BB00000	Pin 6x50	1
D-32	T0920650000	Steering wheel teeth	1
D-33	B800DB00000	Pin 6x25	1
D-34	B5033W00000	Flat Washer12,2x26x1,5	2
D-35	T0920670000	Ball cover pressure plate	1
D-36	T0920660000	Steering ball sleeve	1
D-37	B9006B00000	Lock Ring	1
D-38	B3006W16000	Screw M6x16	2
D-39	B1093W08015	Bolt M8x15	2
D-40	B1057W06010	Bolt M6x10	4
D-41	T0920640000	Steering gear bearing seat	1
D-42	B30B1B20000	Screw M6x16	3
D-43	B300GB00000	Screw M8x20	1
D-44	T0920630000	Steering gear assembly	1
D-45	T0920680000	Sleeve	1
D-46	B1094W10050	Bolt M10x50	1
D-47	B2028W00000	Nut M8	2
D-48	T09209S0113	Streeing wheel cover	1
D-49	T09209R0000	Steering wheel	1
D-50	B5072W00000	Washer 10,5x30x2,5	2
D-51	B5083W00000	Flat Washer 17x30x2,5	1

Pos	Part No	Description	Qty
E-01	B1077W08025	Bolt M8x25	2
E-02	B6006W00000	Spring washer 8	5
E-03	B5091B00000	Flat Washer 8,5x28x2	2
E-04	T0920320000	pulley assembly	2
E-05	B0041W00000	Ball Bearing 6204-2RS	4
E-06	BE00LW00000	Flat Key 6x6x20	2
E-07	T066032X000	pulley shaft	1
E-08	T066032XX00	Belt pulley seat	2
E-09	B2028W00000	Nut M8	14
E-10	B1010W08025	Bolt M8x25	8
E-11	T066032Y000	dust cover	2
E-12	B9020B00000	Lock Ring Φ 19	2
E-13	BE004W00000	Flat Key 4,775x5x20	2
E-14	T0660380000	Blade holder assembly	2
E-15	T09203A0000	Left blade	1
E-16	G3520000000	Blade Washer	2
E-17	B1001B00032	Blade Bolt 3/8-24UNFX35	1
E-18	T09203B0000	Right blade	1
E-19	BA0213X0000	Belt Li2337	1
E-20	B1043W08040	Bolt M8x40	2
E-21	B5005W00000	Flat Washer 8,5x24x2	2
E-22	T0920390000	Idler assembly	2
E-23	T0920370000	Sleeve	2
E-24	B1098W08070	Bolt M8x70	3
E-25	B2020W00000	Nut M8	6
E-26	T09209V5000	Cleaning connector	2
E-27	T0920310057	Deck	1
E-28	T09203C0000	Bolt	2
E-29	T09209V6000	4-inch guide wheel	2
E-30	B5033W00000	Flat Washer 12,2x25x1,5	2
E-31	B2028W00000	Nut M8	2
E-32	B1097B08055	Bolt M8x55	1
E-33	B5064B00000	Flat Washer 8,5x24x4	1
E-34	T0920340000	Tensioning wheel assembly	1
E-35	T0920380000	Sleeve	1
E-36	T0920350000	tensioning wheel swing arm assembly	1
E-37	T0920360000	Fixed plate	1
E-38	T09203D0000	Spring	1
E-39	T09203G0000	Bolt M8	1
E-40	B2059W00000	Nut M8	2
E-41	T09203E0000	Fixed plate	1
E-42	B1060W06016	Bolt M6x16	2
E-43	B1100BL8025	Bolt M8x25	1
E-44	T066032XLH0	axle	1
E-45	B1001BLH032	Blade Bolt 3/8-24UNFX35	1
E-46	B1076W08035	Bolt M8x35	2

Pos	Part No	Description	Qty
F-01	T09207G0010	Handle	1
F-02	T09207B0000	Lever	1
F-03	B1064W06025	Bolt M6x25	1
F-04	B2008W00000	Nut M6	9
F-05	T09207E0000	Flip rod plug	1
F-06	T09207H0000	940x13x3	1
F-07	T09207D007G	Grass box handle cover plate	1
F-08	T09207C0013	Grass catcher upper cover	1
F-09	B3044W00000	Screw 5x16	2
F-10	T0920710000	bracket assembly	1
F-11	B30B1W19000	Screw 5x35	8
F-12	T09207F0000	Sleeve	2
F-13	T0920790000	branch pipe	1
F-14	B1067W06035	Bolt M6x35	8
F-15	T09207A0000	branch pipe	2
F-16	T09207I0010	Fabric bag 280L	1

Pos	Part No	Description	Qty
G-01	T09208B5000	headlight wire	2
G-02	BD012B00000	"o" Ring $\varphi 20 \times \varphi 2.3$	2
G-03	B2065W00000	Nut M10x1	4
G-04	T09208B6000	headlight wire	1
G-05	T09208B4000	wire	1
G-06	T09208J0000	relay	1
G-07	T0920860000	Switch	1
G-08	T092086Y000	Key	2
G-09	T0920830000	Switch	1
G-10	T0920880000	wire	1
G-11	T0920820000	Battery 12V 18Ah	1
G-12	B600MB00000	Washer 8,5x13x0,8	1
G-13	B1001W13000	Blot 5/16"-18UNCx1/2"	1
G-14	T0920850000	wire	1
G-15	T0660860000	Switch	3
G-16	T0920840000	wire 16mm	1
G-17	T06602Q0000	Switch	2
G-18	T09208CX000	wire	1
G-19	T0920800000	Wire	1
G-20	T0920870000	T92T Circuit Board	1
G-21	B3033B00000	Screw 4,2x9,5	4
G-22	T09208K1000	Wire	1
G-23	T0660A9X000	Tie	19
G-24	G37B0000000	Tie 4x200	2
G-25	Y28U0000000	Oil Pipe Fixing Clip	4
G-26	T09208H0000	Charger DC12V/1,8A	1
G-27	T0920810001	Instrument Panel	1

Pos	Part No	Description	Qty
H-01	T09207J0000	grass plug component	1
H-01-01	T06603WH000	Bull tendon rope compression rod	1
H-01-02	T09207J1000	String	1
H-01-03	G33J0000000	Handle Plug	1
H-01-04	T09207J2001	Lever	1
H-01-05	B2040W00000	Nut M5	1
H-01-06	BB011W00000	Split Pin 2,5x30	1
H-01-07	T09207J3000	shaft	1
H-01-08	T09207J4010	Plug	1
H-01-09	T09207J5000	Spring Φ 2	1
H-02	GP33C110010	Knob M6x40	2
H-03	T09209V0000	Rear row grass tube	1
H-04	T09209U9000	Front row grass tube	1
H-05	B2008W00000	Nut M6	2
H-06	T09202X0000	Sleeve	2
H-07	B1047W06050	Bolt M6x50	2

Pos	Part No	Description	Qty
I-01	B2X06W00000	Nut M10	11
I-02	B5088B00000	Flat Washer 10x25x0,8	13
I-03	T0920510000	Lever	2
I-04	B1018W10035	Bolt M10x35	2
I-05	T09204GX000	T92 Pedal Pressure Plate	4
I-06	B3006W16000	Screw M6x16	8
I-07	T0920540000	BRACKET ASSEMBLY	1
I-08	BB012W00000	Split Pin 2,5x50	1
I-09	BB010W00000	Split Pin 1,8x10x35	4
I-10	T09205C0000	Raise hexagonal joint	2
I-11	B2004W00000	Nut M10	7
I-12	T09205B0000	Lever	1
I-13	T0920520000	connecting rod	1
I-14	T0920550000	BRACKET ASSEMBLY	1
I-15	T09205E0000	hexagonal joint	2
I-16	T0920530000	Lever	1
I-17	T09206B0000	Bearing M10	1
I-18	B1005W10100	Bolt M10x100	2
I-19	T09205D0000	Adjusting rod	2
I-20	B5072W00000	Washer 10,5x30x2,5	4
I-21	T09205G007G	Lever	1
I-22	T0920570000	Handle	1
I-23	B1098W08070	Bolt M8x70	1
I-24	T0920580000	Spring	1
I-25	B2028W00000	Nut M8	1
I-26	T0920560000	arm bracket	1
I-27	T0920590000	Height adjust board	1
I-28	B5080W00000	Washer 16,5x30x1,5	1
I-29	B3008B20000	Screw M8x20	2
I-30	T09205F0000	Spring	1
I-31	T09205FX000	Spring	1
I-32	T09205A0000	Left Front Hanger Rod for Cutter Height Adj.	1

Pos	Part No	Description	Qty
J-01	T092099007G	Engine cover	1
J-02	B3044W00000	Screw 5x16	81
J-03	T09209C0B13	Front Left Cover	1
J-04	T09209D0B13	Front Right Cover	1
J-05	T09209L0001	lampshade	1
J-06	T09209K007G	Linear lamp holder	1
J-07	T092098007G	Front seat of the car	1
J-08	T09209I0000	lamp cover	1
J-09	T09209G0000	reflector mask	1
J-10	T09209E007G	lamp holder	1
J-11	T09209F007G	lamp holder	1
J-12	T09209H0000	reflector mask	1
J-13	T09209J0000	lamp cover	1
J-14	T09202Y6000	Fixed plate	1
J-15	T09209B007G	Front handle plate	1
J-16	T09209A0013	Upper cover	1
J-17	T0920960000	Wind guide upper cover	1
J-18	T0920970000	Wind guide lower cover	1
J-19	T09209PA07G	Lower cover of steering wheel	1
J-20	T09209N007G	Front control panel	1
J-21	T09209M007G	Steering wheel base	1
J-22	T09209U507G	Left deck cover	1
J-23	B2058W00000	Nut M6	5
J-24	T09202X3000	screw M6	11
J-25	B9038B00000	Clip	11
J-26	T09209U307G	deck cover	1
J-27	T09209V707G	Foot pedal cover	1
J-28	T09201V1000	Battery pressure rod	1
J-29	T09209U407G	deck cover	1
J-30	T09209U607G	deck cover	1
J-31	T09202Y2057	Vehicle armrest	2
J-32	T092094007G	Left cup holder	1
J-33	B30B1W19000	Screw 5x35	8
J-34	T0920920013	Left cover	1
J-35	T092091007G	Vehicle seat	1
J-36	T092095007G	Right cup holder	1
J-37	T0920930013	Right cover	1
J-38	T09202T007G	gauge	1
J-39	T09202U0000	plate	1
J-40	B3006W16000	Screw M6x16	8
J-41	T09209Q0000	Cushion	2
J-42	T09203K0000	Cover	1
J-43	B5026W00000	Flat Washer 6,5x12x1	5
J-44	B1055W05025	Bolt M5x25	4
J-45	T09201V7000	Fixed plate	2

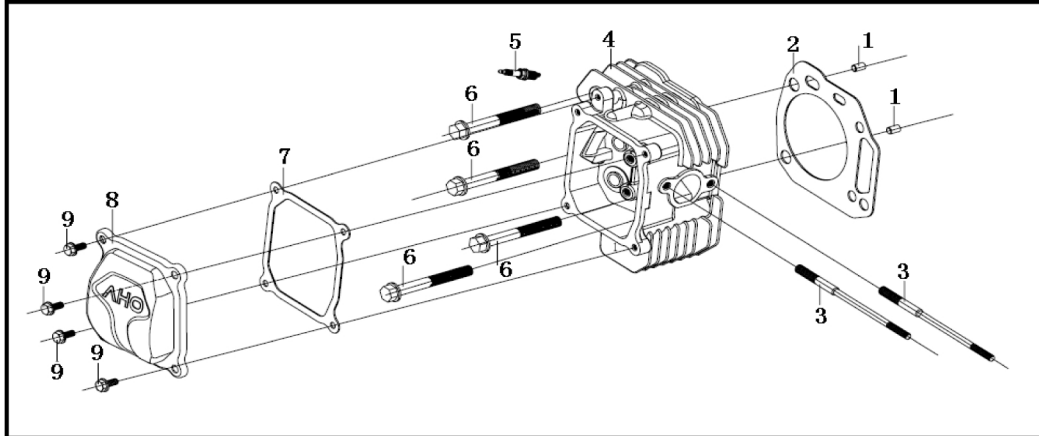
Pos	Part No	Description	Qty
K-01	T066061XX00	Seat	1
K-02	T09202X4000	Spring	2
K-03	B2028B00000	Nut M8	2
K-04	T0920A10000	Fixed plate	1
K-05	B5037W00000	Flat Washer 8x30x2,5	4
K-06	B1079W08020	Bolt M8x20	4
K-07	B6006W00000	Spring washer 8	4
K-08	T09202P0000	Fixed plate	1
K-09	T06604K0000	Bolt	2
K-10	T09209V9000	Spring sleeve	2
K-11	B3008B20000	Screw M8x20	2

Pos	Part No	Description	Qty
L-01	G37KKBS0000	Tool set - wrench	2
L-02	G37LSDX0000	Tool set - screwdriver	1
L-03	G37KKBS2000	Tool set - wrench	1
L-04	T0660A70000	Tool set - sleeve	1
L-05	G37KKBB0000	Tool set - wrench	1
L-06	G37KKBA0000	Tool set - funnel	1
L-07	G37KBBA0000	Tool set - funnel	1
L-08	T06608A0000	Tool set - fuse 10A	1
L-09	T09208F0000	Tool set - fuse 25A	1

Loncin LC1P92F-1

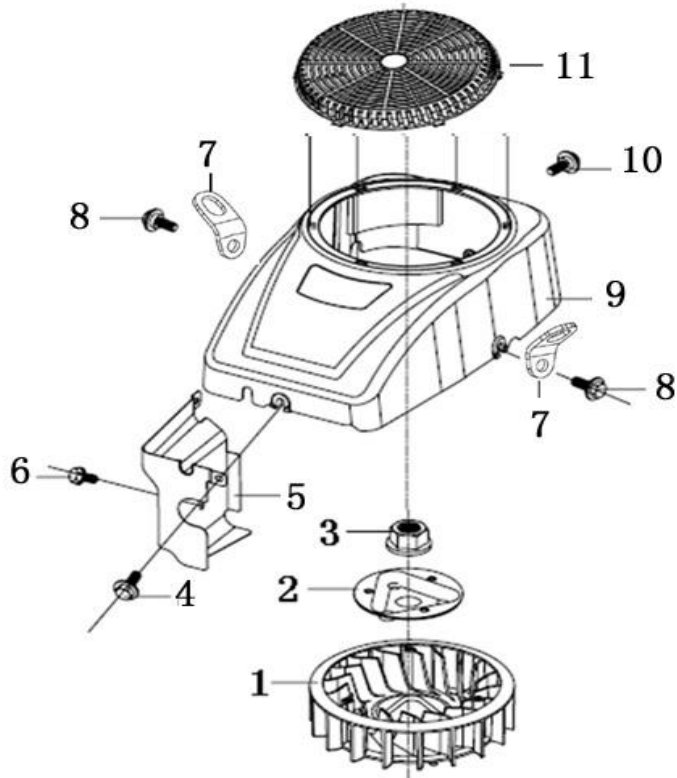
452ccm

16HP



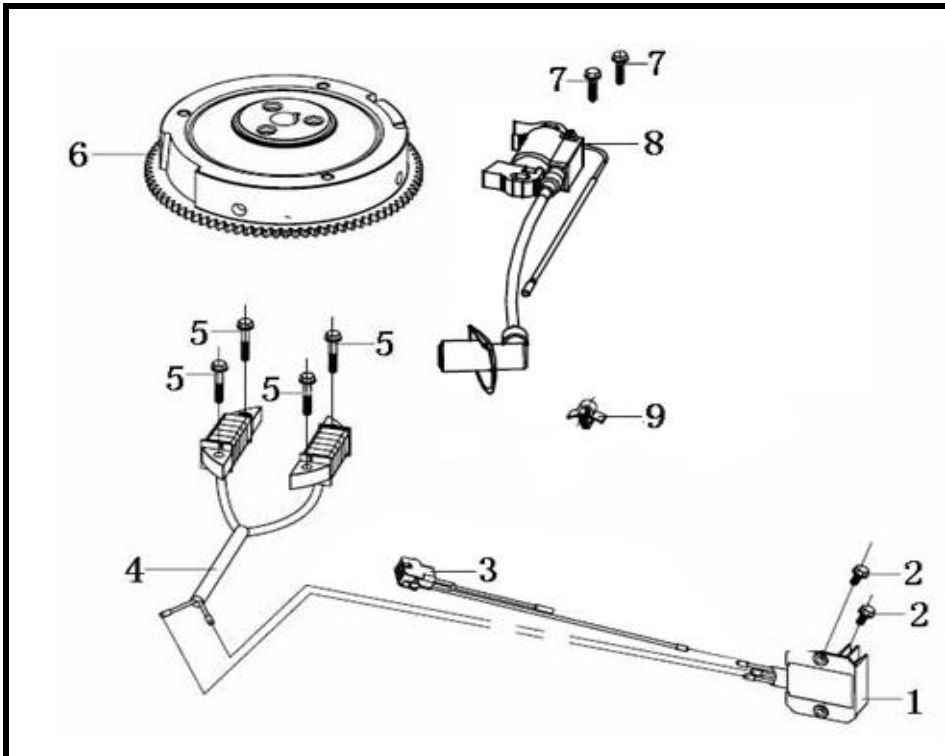
Gear Box Assy

No.	Part No.	Description	QTY
1	380600116-0001	ocation pin 1220	2
2	120150146-0001	Gasket for cylinder head	1
3	380180088-0001	Stud	2
4	120081128-0001	Cylinder head	1
5	270960028-0002	Spark plug	1
6	380140335-0001	Hexagon bolt with flange M10x1,25x85	4
7	120250079-0001	Gasket for cylinder head cover	1
8	120230155-0001	Cylinder head cover assy	1
9	380020070-0001	Hexagon shaft shoulder bolt M6×16.5(Φ8×3.5)	4



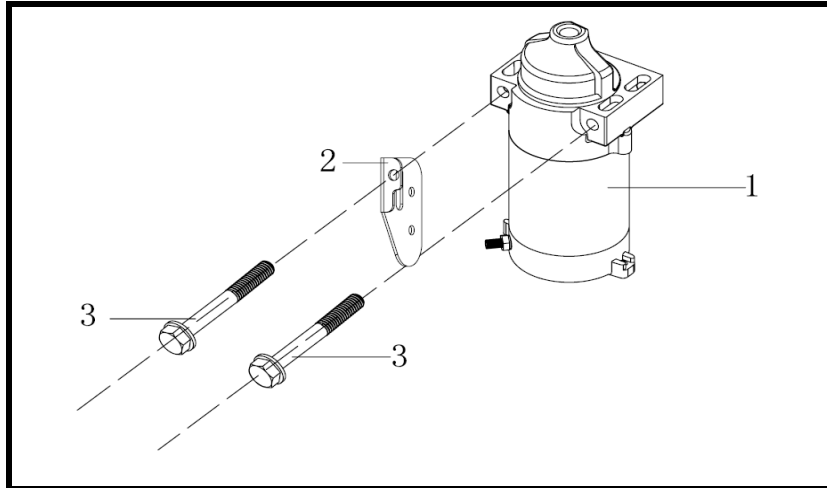
Blower Housing

No.	Part No.	Description	QTY
1	160180024-0001	Impeller	1
2	193590013-0001	Starting disc	1
3	380370079-0001	Hexagon nut with flange M16x135	1
4	380020087-0001	Hexagon shaft shoulder bolt M6×21.8(Φ8×10.8)	1
5	160190050-0001	air deflector	1
6	380140067-0003	Hexagon bolt with flange M6x12	1
7	120550026-0001	Lifting eye	2
8	380020070-0001	Hexagon shaft shoulder bolt M6×16.5(Φ8×3.5)	2
9	160210046-0001	Fan cover comp.	1
10	380020086-0001	Bolt, Hexagonal M6×16.8(Φ8×5.8)	1
11	195360009-0003	Starter outer cover	1



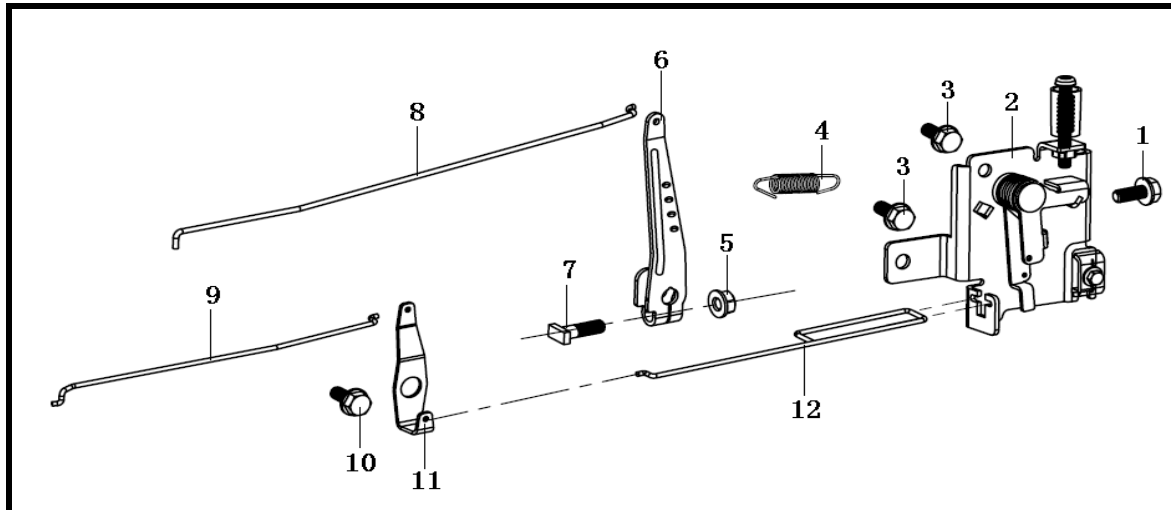
Flywheel

No.	Part No.	Description	QTY
1	270880173-0001	RectifierVariable voltage rectifier	1
2	380140067-0003	Hexagon bolt with flange M6x12	2
3	271280141-0002	Connecting wire	1
4	270190031-0001	Components of charging current armature	1
5	380140054-0003	Hexagon bolt with flange M6x30	4
6	270020229-0001	FLYWHEEL COMP	1
7	380140103-0004	Hexagon bolt with flange M6x25	2
8	270920251-0004	COIL ASSY.,IGNNTION 5kΩ	1
9	380930113-0001	Location wire nail	1



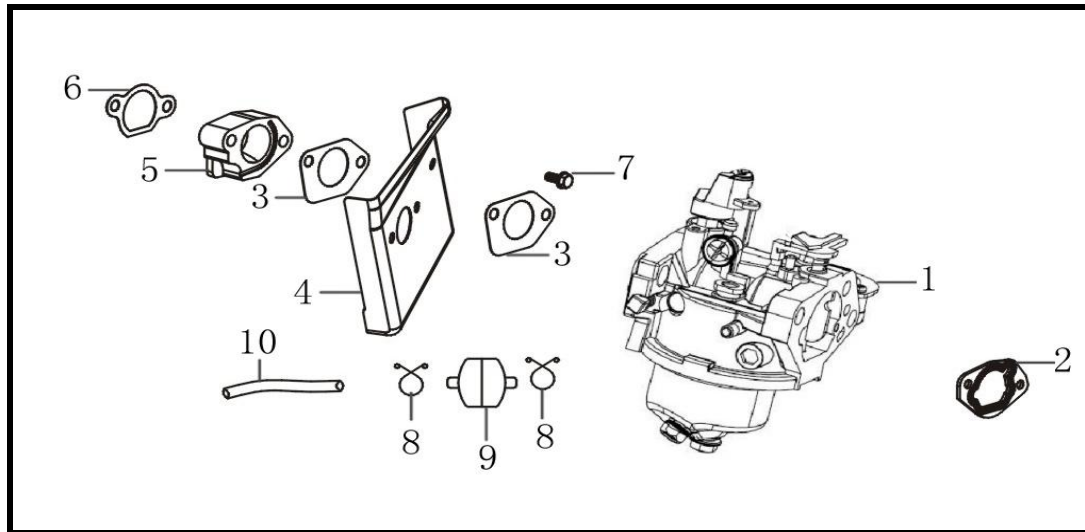
Starting Motor Assy

No.	Part No.	Description	QTY
1	270360132-0004	Components of starting motor	1
2	270910008-0001	rectifier voltage regulator Support	1
3	380140453-0001	Hexagon bolt with flange M8x80x12	2



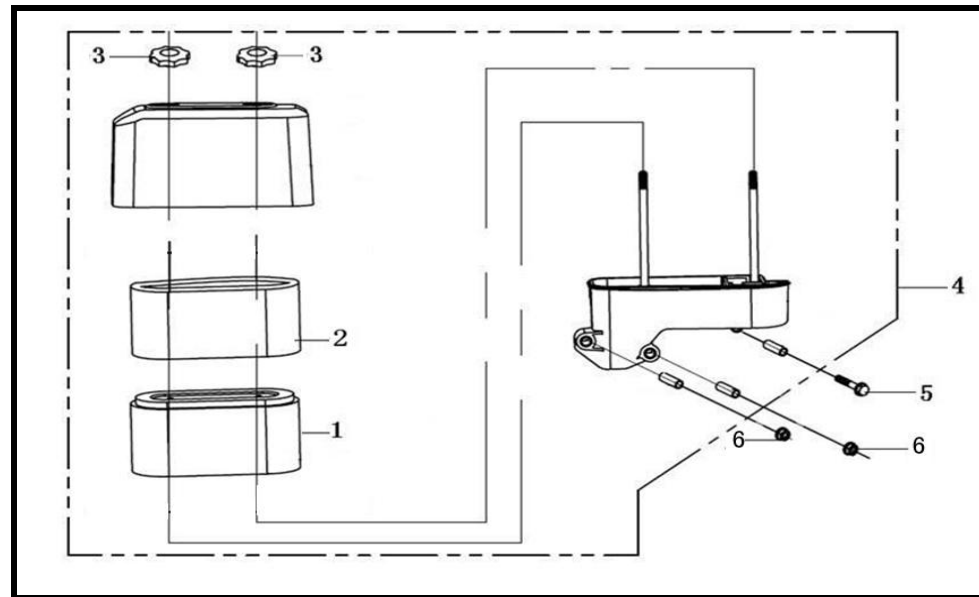
Governor

No.	Part No.	Description	QTY
1	380140013-0005	Hexagon bolt with flange M6x16	1
2	171680158-0001	Throttle handle combination	1
3	380140209-0001	Hexagon bolt with flange M6x14	2
4	171600020-0001	Governing spring	1
5	380370066-0001	Hexagon nut with flange	1
6	171620013-0003	Speed regulating bracket	1
7	380250002-0001	Square head set screw with flat point M6x21	1
8	171590013-0001	Throttle rod	1
9	171490002-0001	Choke valve bar	1
10	380020071-0001	Hexagon shaft shoulder bolt M6x15(Φ10x1.8)	1
11	171480013-0001	Choke valve bracket	1
12	171650003-0001	Choke valve pull rod	1



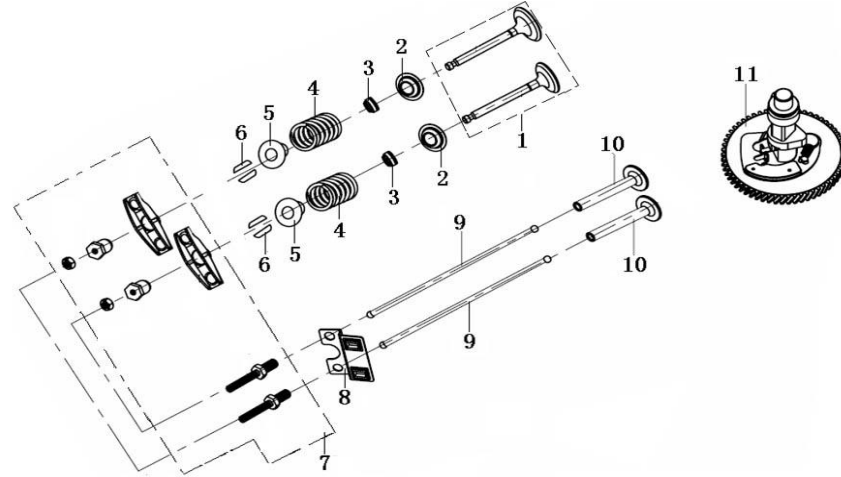
Carburetor With Pump

No.	Part No.	Description	QTY
1	170021008-0003	Carburetor	1
2	170430173-0001	Carburetor gasket	1
3	170430099-0001	Carburetor gasket	2
4	160190049-0001	air deflector	1
5	170440053-0001	Heat insulating pad for carburetor	1
6	170430101-0001	Carburetor gasket	1
7	380140067-0003	Hexagon bolt with flange M6x12	1
8	380960287-0001	Clip combination	2
9	170010045-0001	Fuel filter	1
10	380750431-0001	Oil tube	1



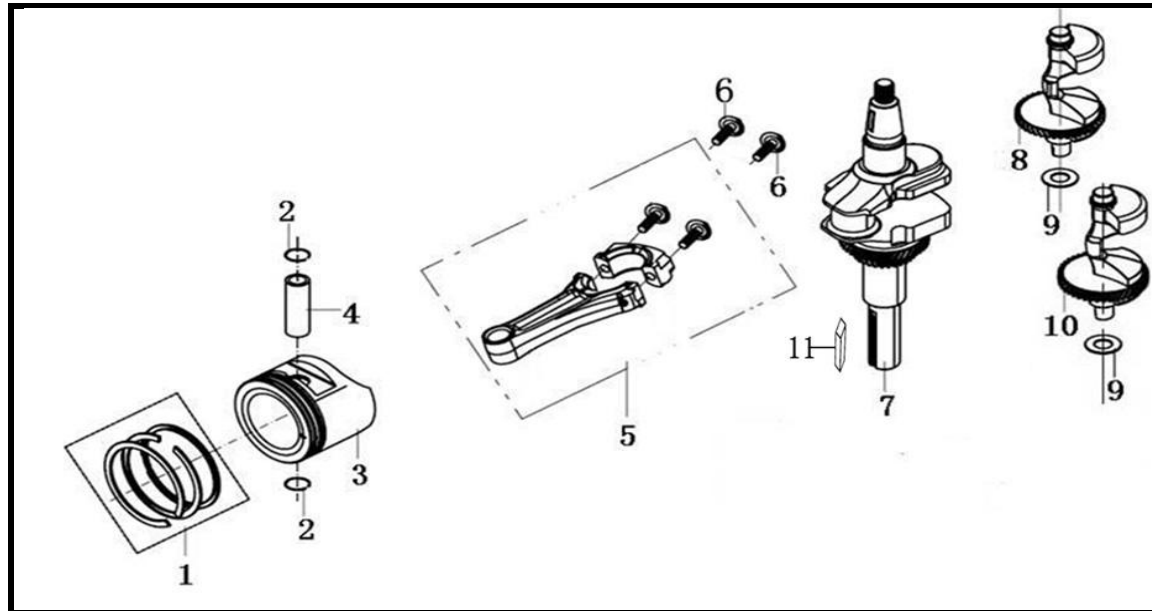
Air Cleaner

No.	Part No.	Description	QTY
1	180130188-0001	Air filter element	1
2	180130187-0001	Air filter element	1
3	181950006-0001	Bolt handle	2
4	180020633-0003	Air filter	1
5	380140100-0003	Hexagon bolt with flange M6x36	1
6	380370066-0001	Hexagon nut with flange M6	2



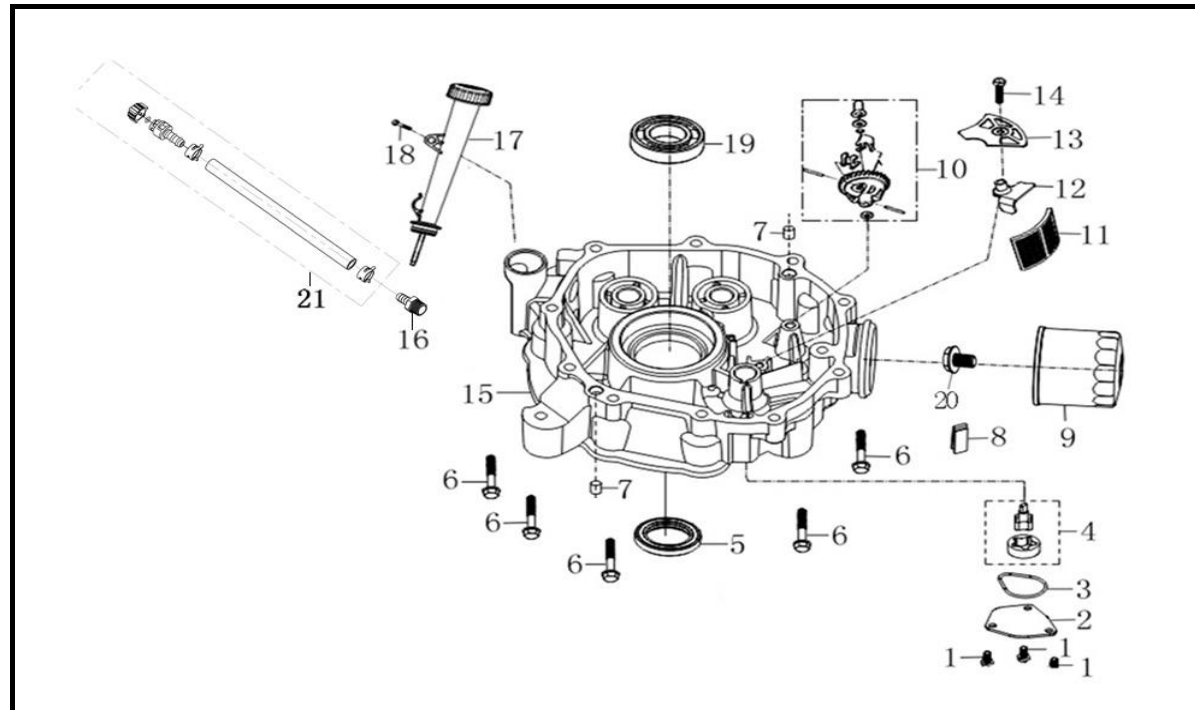
Valve

No.	Part No.	Description	QTY
1	500550039-0001	Valve Kit	1
2	140360010-0001	Seat, valve spring	1
3	140400012-0001	Valve oil seal	2
4	140340025-0001	Inner spring of valve	2
5	140380021-0001	Retainer, valve spring	2
6	140390015-0001	Valve locker	2
7	140450041-0001	Valve rocker combination	2
8	140710011-0001	Plate, push rod guide	1
9	140670030-0001	Push rod	2
10	140690004-0001	Lifter, Valve	2
11	140020055-0001	Camshaft assy	1



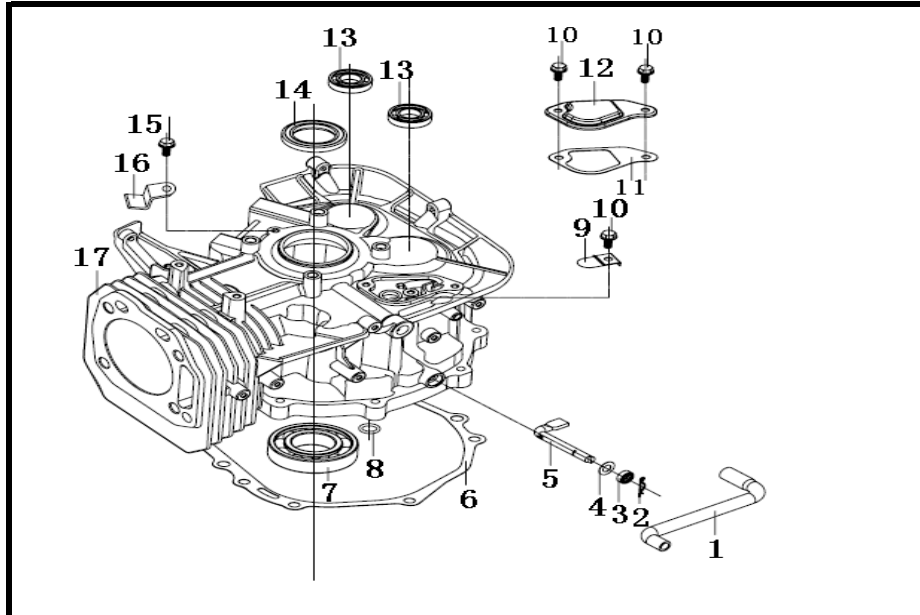
Crankshaft

No.	Part No.	Description	QTY
1	130070103-0001	Piston ring combination	1
2	380560057-0001	Steel cable baffle ring	2
3	130030311-0001	Piston	1
4	130060034-0001	Piston pin $\phi 20 \times 62$	1
5	130150185-0001	Connecting rod	1
6	130180033-0001	Connecting rod bolt	2
7	130290102-0001	crankshaft	1
8	130450034-0001	Balancing shaft	1
9	380450560-0001	Flat washer	2
10	130450033-0001	Balancing shaft	1
11	380620034-0001	Key 54X6X6,3	1



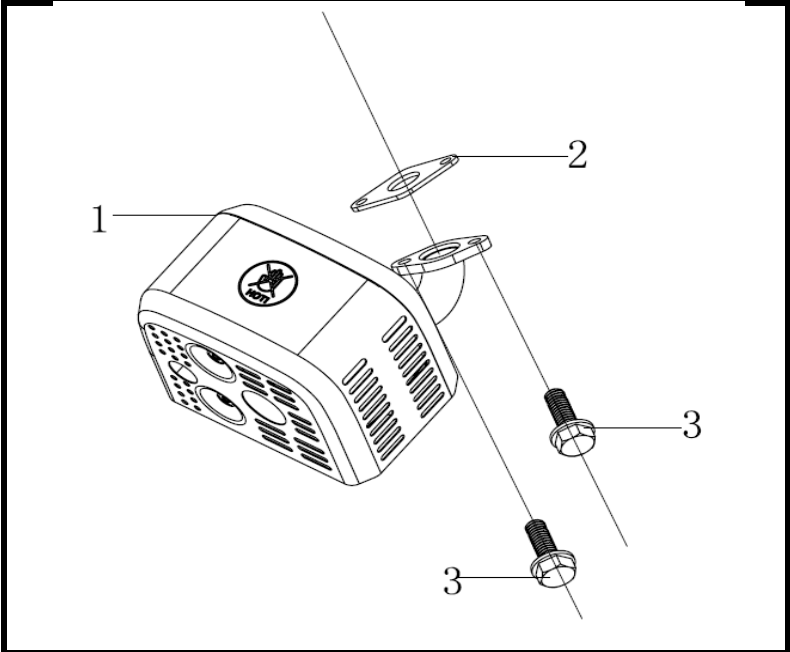
Crankshaft Cover

No.	Part No.	Description	QTY
1	380140013-0005	Hexagon bolt with flange M6x16	3
2	150040019-0001	Oil pump cover	1
3	380840467-0001	Seal ring	1
4	150010073-0001	Components of oil pump	1
5	380650337-0001	Oil seal 52x35x7	1
6	380140447-0001	Hexagon bolt with flange M8x40x12	10
7	380600123-0001	ocation pin 10x12	2
8	150570003-0001	Engine oil return block	1
9	150350046-0002	Oil filter	1
10	171750044-0001	Components of governor gear	1
11	150290022-0001	Engine oil Strainer	1
12	120530002-0001	Pressing plate for oil groove	1
13	150340013-0001	Cover,Oil Strainer	1
14	380140103-0004	Hexagon bolt with flange M6x25	1
15	110820222-0001	Crankcase cover	1
16	110950004-0001	Joint for lengthen rod of oil drainage	1
17	110690047-0001	Oil rule combination	1
18	380140100-0003	Hexagon bolt with flange M6x35	1
19	380630141-0002	Bearing	1
20	150840002-0002	Oil filter Mounting bolts	1
21	292980335-0001	Tube comp	1



Crank Case Comp

No.	Part No.	Description	QTY
1	380740462-0002	Breather tube	1
2	381350004-0001	Pin clip	1
3	380650339-0001	Oil seal 14x8x4	1
4	380450559-0001	Flat washer	1
5	171630020-0001	Speed regulating arm	1
6	110830037-0001	Crankcase cover gasket	1
7	380630141-0002	Bearing	1
8	380840443-0001	Seal ring 11,7x2,5	1
9	140250006-0001	Leaf valve	1
10	380140067-0003	Hexagon bolt with flange M6x12	3
11	110850004-0001	PACKING, BREATHER CHAMBER	1
12	110840005-0001	CAP,BREATHER CHAMBER	1
13	380630026-0001	Bearing	2
14	380650337-0001	Oil seal 52x35x7	1
15	380140209-0001	Hexagon bolt with flange M6x14	1
16	110480024-0001	Pressing plate	1
17	110810167-0001	Crankcase body	1



Outlet gasket

No.	Part No.	Description	QTY
2	180650074-0001	Outlet gasket	1
3	380190168-0001	Socket head screw	2