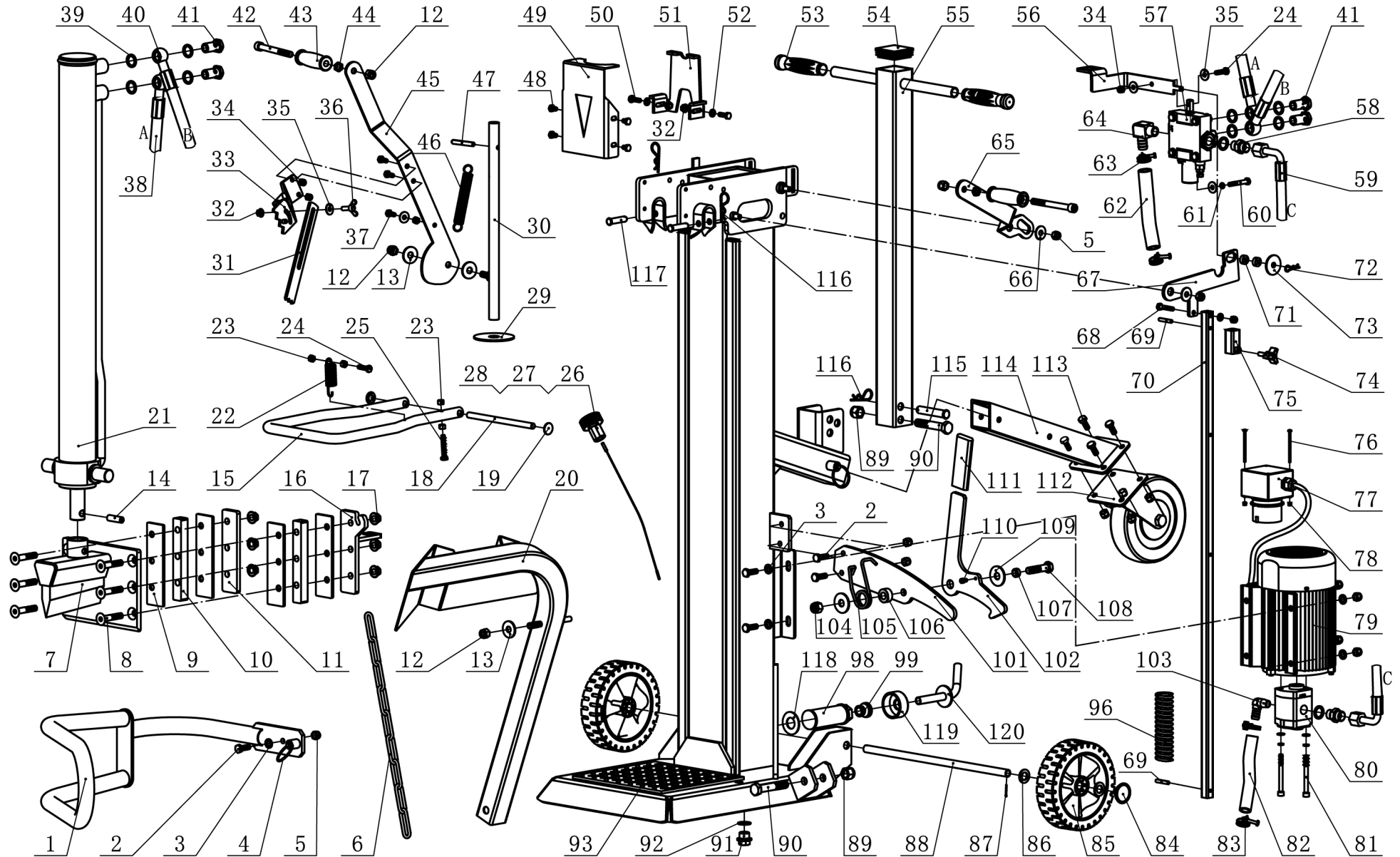


# VeGA LV910PRO VARIO

r.v. 2024

**VeGA**<sup>®</sup>  
GARDEN MACHINES



Part1		
No.	ID	Název
1	6570812001	Left Guard Bracket
2	GBT5783-1030	Bolt 8.8 M10x30
3	GBT95-10	Flat Washer 10
4	6570800161	Locating Pin Handle
5	GBT6172.2-10	Locknut M10
6	6570800174	Lift Chain $\phi$ 6
7	6570848010	Wedge Weldment
8	GBT703-1260	Bolt 8.8 M12x65
9	6570848106	Friction Plate
10	6570848107	Baffle Plate
11	6570848108	Left Plate
12	GBT6172.2-12	Locknut M12
13	GBT96-12	Large Washer 12
14	GBT879.2-0840	Cylindrical Pin 8x40
15	6570800118-1	Control U-Handle
16	6570848020	Right Plate
17	GBT6177.1-12	Nut M12
18	6570800123	Axis Pin
19	CCZ288101	Wheel Cap 12
20	6570800018	Lift Guard
21	6570855001	Cylinder
22	6570800130	Spring
23	GBT6170-08	Nut M8
24	GBT5783-0830	Bolt 8.8 M8x30
25	GBT5783-0850	Bolt 8.8 M8x50
26	6570800017	Oil Cap
27		O- Ring 25x2.65
28	6570800107-1	Oil Dipstick
29	6570800119	Nylon Washer
30	6570814011-1	Shaft
31	6570814102	Extended Log Fixing Claw
32	GBT6177.1-08	Nut M8
33	6570814012	Log Fixing Claw
34	GBT6172.2-08	Locknut M8
35	GBT96-08	Large Washer 8
36	6570814103	Wing Bolt M8x25
37	GBT5781-0820	Bolt M8x20
38	6570800106	Lower Hose
39	JBT982-20	Combined Washer 20
40	6570800105	Upper Hose
41	6569958104	Valve Connector
42	GBT70.1-12120	Screw M12x120
43	CCZ200125	Operating Handle Grip
44	GBT6171-12	Thin Nut M12
45	6570814121	Lever
46	6570814101	Reset Spring
47	GBT879.2-0860	Cylindrical Pin 8x60
48	GBT5781-0812	Bolt M8x12
49	6570800116	Front Support Plate for Cylinder
50	GBT5781-0825	Bolt M8x25
51	6570800115-1	Rear Support Plate for Cylinder
52	GBT95-08	Flat Washer 8
53	CCA02104	Handle Grip
54	6569610102	Square Plug
55	6570810011	Pull Rod
56	6570800102-1	Connecting Plate for Valve
57	6570858011	Valve
58	6570858101	Hose Nipple
59	6570800016	Inlet Hose
60	GBT5782-0850	Bolt 8.8 M8x50

Part1		
No.	ID	Název
61	GBT93-08B	Spring Washer 8
62		Oil Hose 19
63		Hose Clamp 28-36
64	6570858102	Hose Connector
65	6570840101	Right Operating Lever
66	GBT96-10	Large Washer 10
67	6570800021	Connectin Lever
68	GBT5783-0840	Bolt 8.8 M8x40
69	GBT879.2-0640	Cylindrical Pin 6x40
70	6570800125-1	Stroke Adjusting Lever
71	6569900114	Round Plate
72	CVC38123	Clip 2.5
73	GBT5287-10	Large Washer 10
74	CCK00011	Star Knob
75	6569900020	Adjusting Sleeve
76	GBT818-0460	Screw M4x60
77	HCK3T-400-400mm	Switch
78	GBT6172.2-04	Locknut M4
79	6570818001	3-Phase Motor
80	6570826012	Gear Pump 4.0
81		Screw M8x90
82	FBJ00102	Oil Hose 16
83	QB00SG001	Hose Clamp 20-26
84	S08010101	Wheel Cap
85	S08020021	Wheel
86	GBT95-16	Flat Washer 16
87		Cotter Pin 2x20
88	6570800110	Wheel Axle
89	GBT6172.2-16	Locknut M16
90	GBT5782-1690	Bolt 8.8, M16x90
91	6569900175	Screw Plug
92	GBT-22	Combined Washer 22
93	6570811001	Main Frame
94	GBT5783-0612	Bolt 8.8 M6x12
95	GBT95-06	Flat Washer 6
96	6569900120	Buffer Spring
97		O- Ring 50x2.65
98	WU-40-CZYY	Oil Filter K
99	CCK00126	Bush K
100	6570817011	Flange
101	6570860104	Locating Plate
102	6570860105	Hook
103	CCH00202-B	Rectangular Nozzle
104	GBT6172.2-14	Locknut M14
105	6569960102	Torsional Spring
106	6569960103	Locating Bush for Spring
107	6570860101	Locating Bush
108	GBT5782-1460	Bolt 8.8 M14x60
109		Large Washer 14
110	GBT70.1-0610	Screw M6x10
111	6569960106	Handle Grip
112	6569400106	Support Wheel Assy.
113	CGB5781-1025	Bolt M10x25
114	6570810012	Fixing Tube
115		Pin B 16x85
116	CBC40113	Clip 3
117		Pin B 12x50
118	6570811157-1	Filter element gasket
119	6570811155	Filter element fixing nut
120	6570817021	Flange