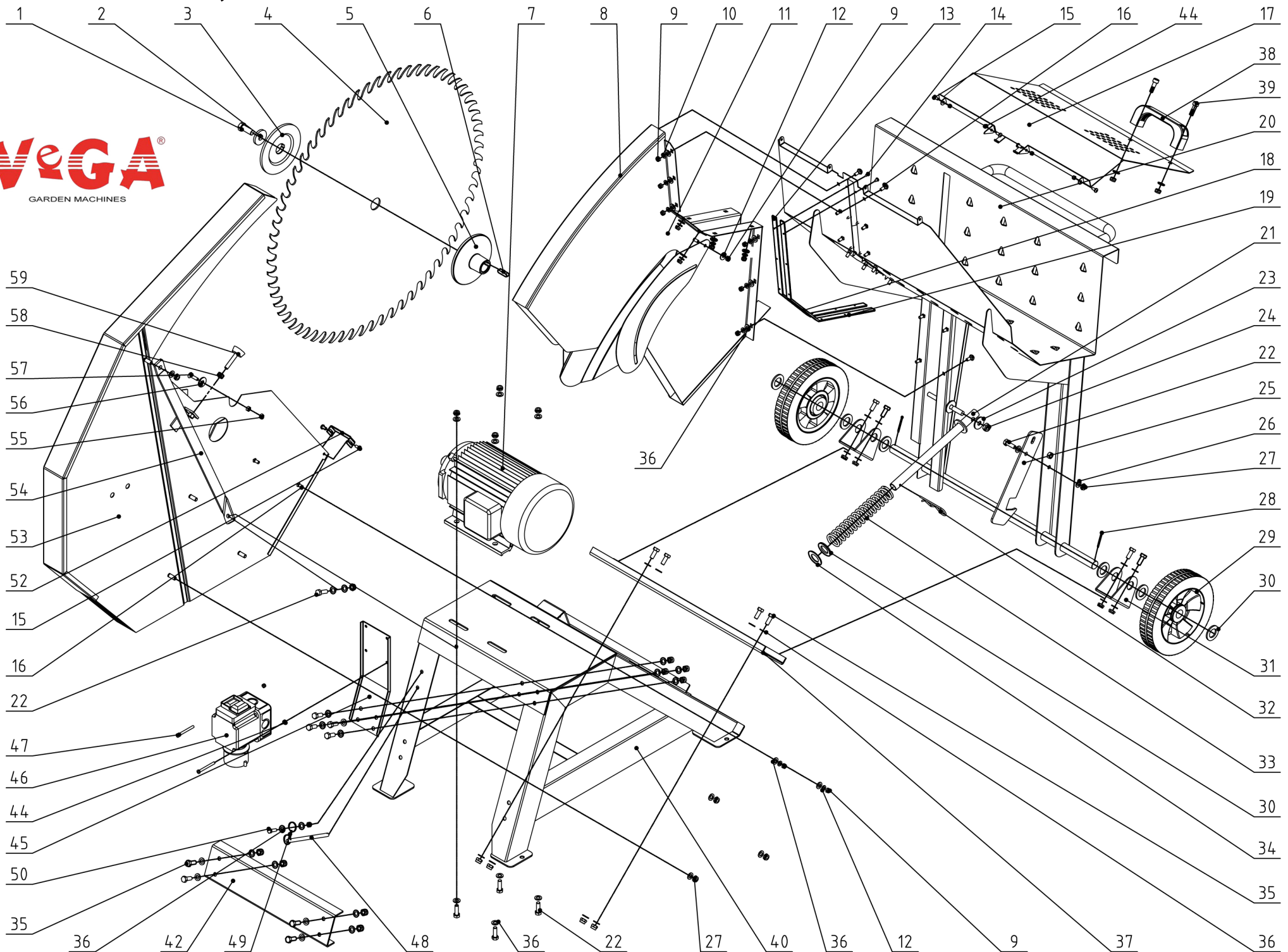


VeGA LC 700

r.v. 2024



Part1		
No.	ID	Název
1	GB/T5781-2000	Bolt 8.8 M12x30
2	GBT96-12	Big Washer 12
3	65665.00.117	Front Clamping Flange
4	65666.50.101	Saw Blade
5	65665.00.118	Rear Saw Blade Flange
6	GB/T1095-2003	Key 8x7x30
7	65665.26.002	Motor
8	65665.00.115	Movable Guard Plate
9	GB/T6172.2-2000M6	Lock Nut M6
10	GB/T95-2000/6	Washer 6
11	65665.00.016	Saw Blade Guard
12	GB/T96.1-2002/6	Big Washer 6
13	65665.00.137	Plastic Bar 3
14	GB/T845-1985	Screw ST4.2x9.5
15	GB/818-2000	Screw M5x10
16	GB/T801-2000	Bolt M6x16
17	65665.00.091	Top Guard
18	65665.00.163	Plastic Bar 2
19	65665.00.162	Plastic Bar 1
20	65665.00.030-1	Log Carriage
21	65665.00.012	Guide Pipe
22	GB/T5783-2000M8x25	Bolt 8.8 M8x25
23	GB/T96.1-2002/10	Big Washer 10
24	GB/T6172.2-2000M10	Locknut M10
25	65665.00.160	Locking Plate
26	GB/T95-2000/8	Washer 8
27	GB/T6172.2-2000M8	Locknut M8
28	GB/T91-2000	Cotter Pin 2.5x32
29	65665.10.011	Wheel (8")
30	GB/T95-2000/20	Washer 20

Part1		
No.	ID	Název
31	65665.00.138	Mounting Bracket for Wheel Axle
32	CBC40113	R-Pin 3
33	65665.00.112	Return Spring
34	30250.38.123-2	Gasket for Output Shaft
35	GB/T5783-2000M8x20	Bolt 8.8 M8x20
36	GB/T96.1-2002/8	Big Washer 8
37	65665.00.155	Connecting Plate
38	CFA55109-A	Handle
39	GBT70.1	Screw M8x25 (Zinc)
40	65665.00.014	Base Frame
42	65665.00.144-1	Plate 1
44	GB/T6172.2-2000M5	Locknut M5
45	65665.00.114-A	Switch Mounting Bracket
46	6566526301 KOA12-05	Switch
47	GB/823-2000	Screw M5x50
48	65665.00.116	Saw Blade Stop Pin
49	CSC.10.130	Locking Chain
50	GB/T5783-2000M6x20	Bolt M6x20
52	65665.00.110	Limit Plate 3
53	65665.00.011-1	Saw Blade Cover
54	65665.00.111-A	Support Plate
55	GB/T6170-2000M6	Nut M6
56	CVC38118	Vibration Absorbing Washer 8
57	GB/T70.3-2000	Screw M6x25
58	GB/T6170-2000M8	Nut M8
59	CCK.00.052	Bolt M8x40
60	65665.00.222	Log Ruler
61	CCA.00.126	Square Star Knob
62	CCK.00.011	Star Knob
63	65665.00.031	Log Carriage Extension
64	CSB.20.102	Plug for 30x30 Square Pipe