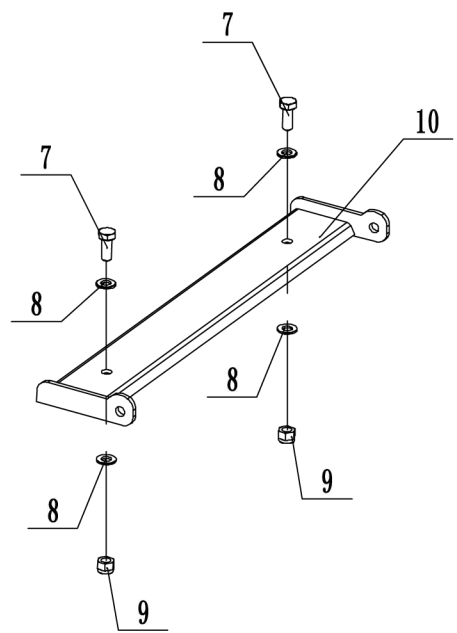
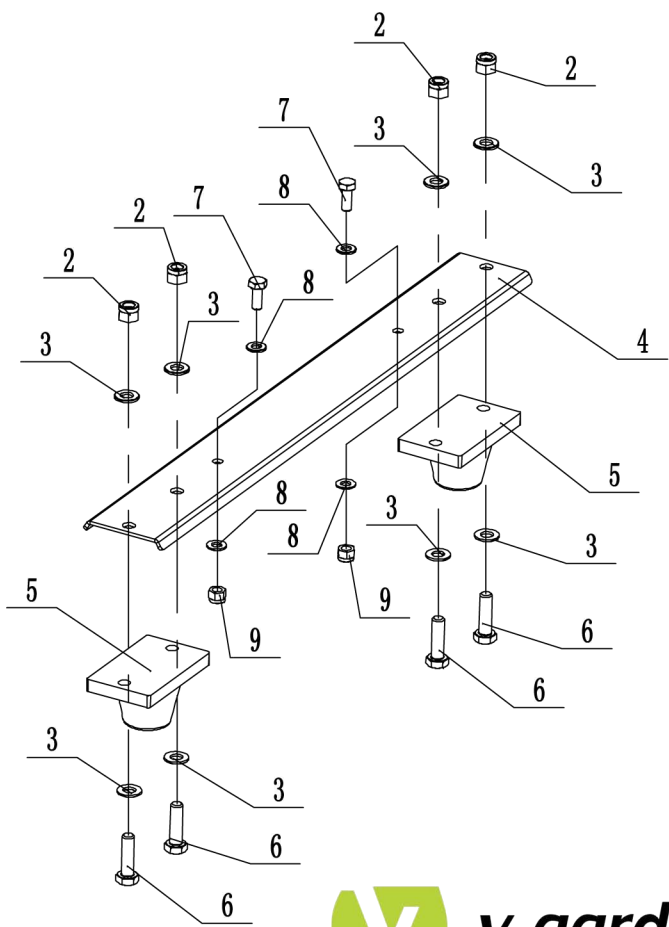


Model:WBZ106E
Service code:WBZ106E2012
Chair Part

WB Z 106E

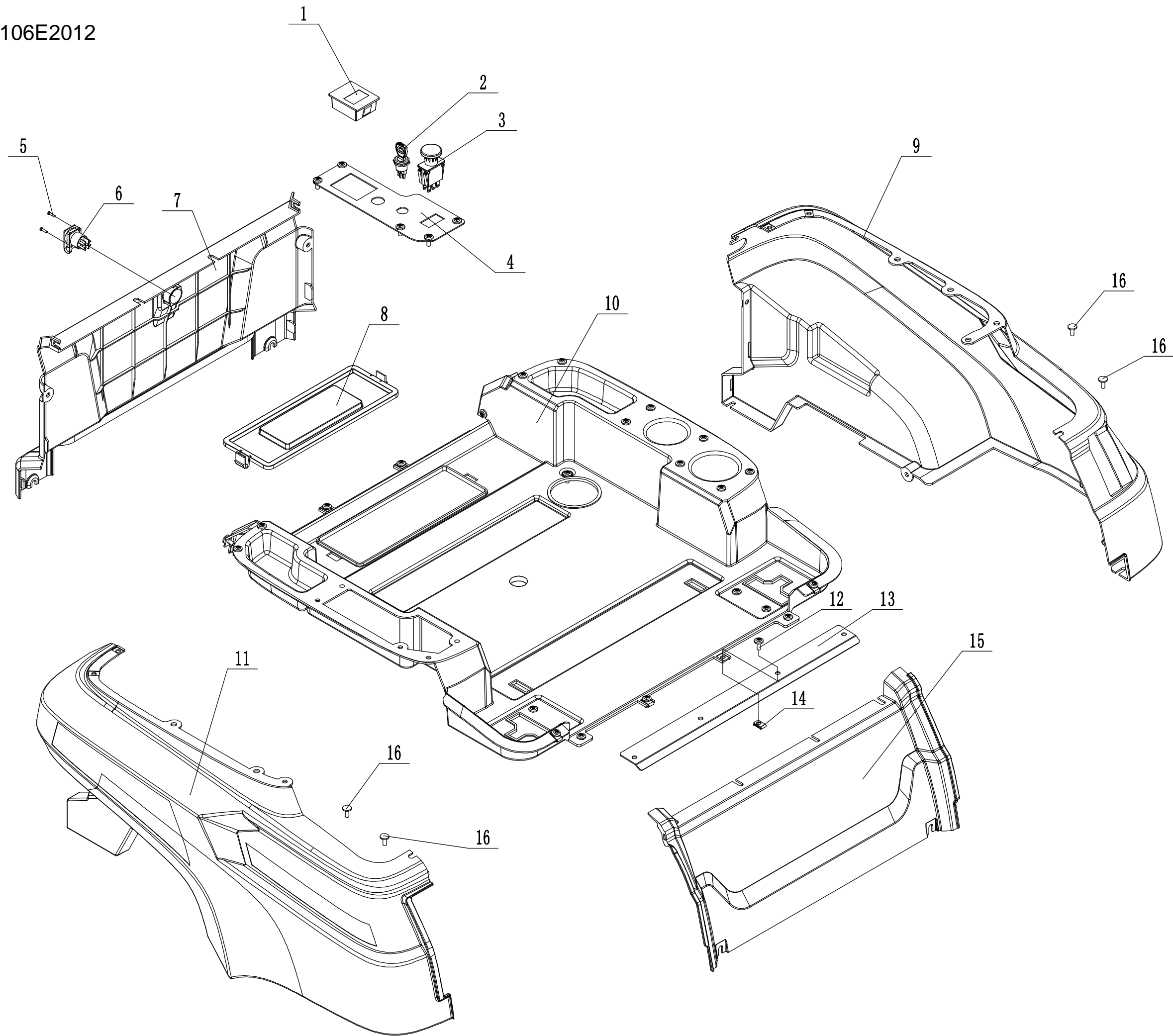
Zero Turn

2022



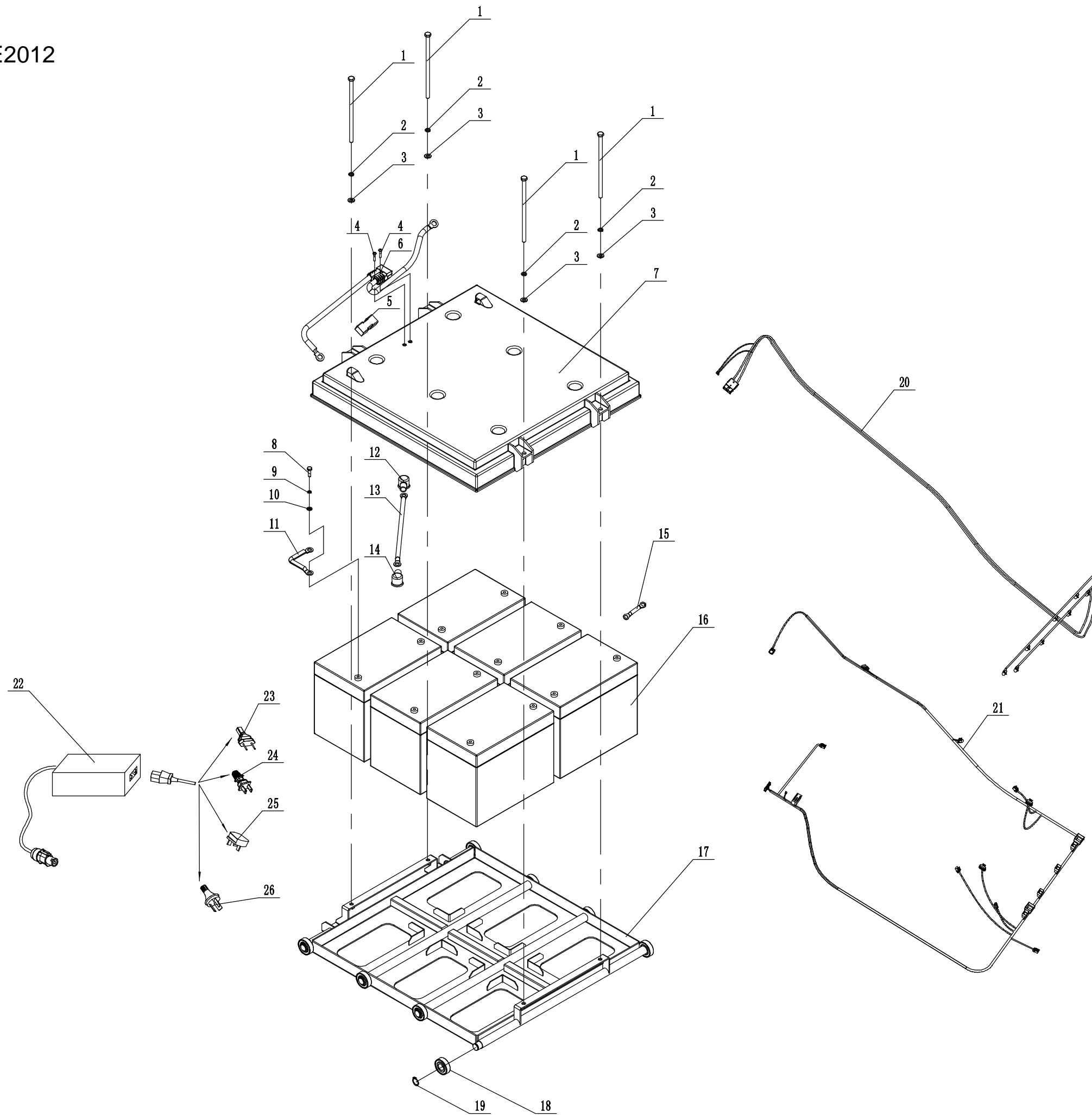
| Part 1 - Chair Part Spare Parts | | |
|--|-----------------|---------------------|
| No. | ID Zboží | Název |
| 1 | Z42EA01000 | Seat |
| 2 | 0202010000 | Lock Bolt - M10 |
| 3 | 0301010000 | Washer - 10x2 |
| 4 | Z42EA02000/22 | Seat mounting plate |
| 5 | Z61B1100 | Shock absorber |
| 6 | 0103010030 | Screw - M10x30 |
| 7 | 0101008020 | Bolt - M10x20 |
| 8 | 0301008000 | Washer - 8x1.6 |
| 9 | 0202008000 | Lock Nut - M8 |
| 10 | Z42EA03000/22 | Seat mounting plate |

Model:WBZ106E
Service code:WBZ106E2012
Shell part



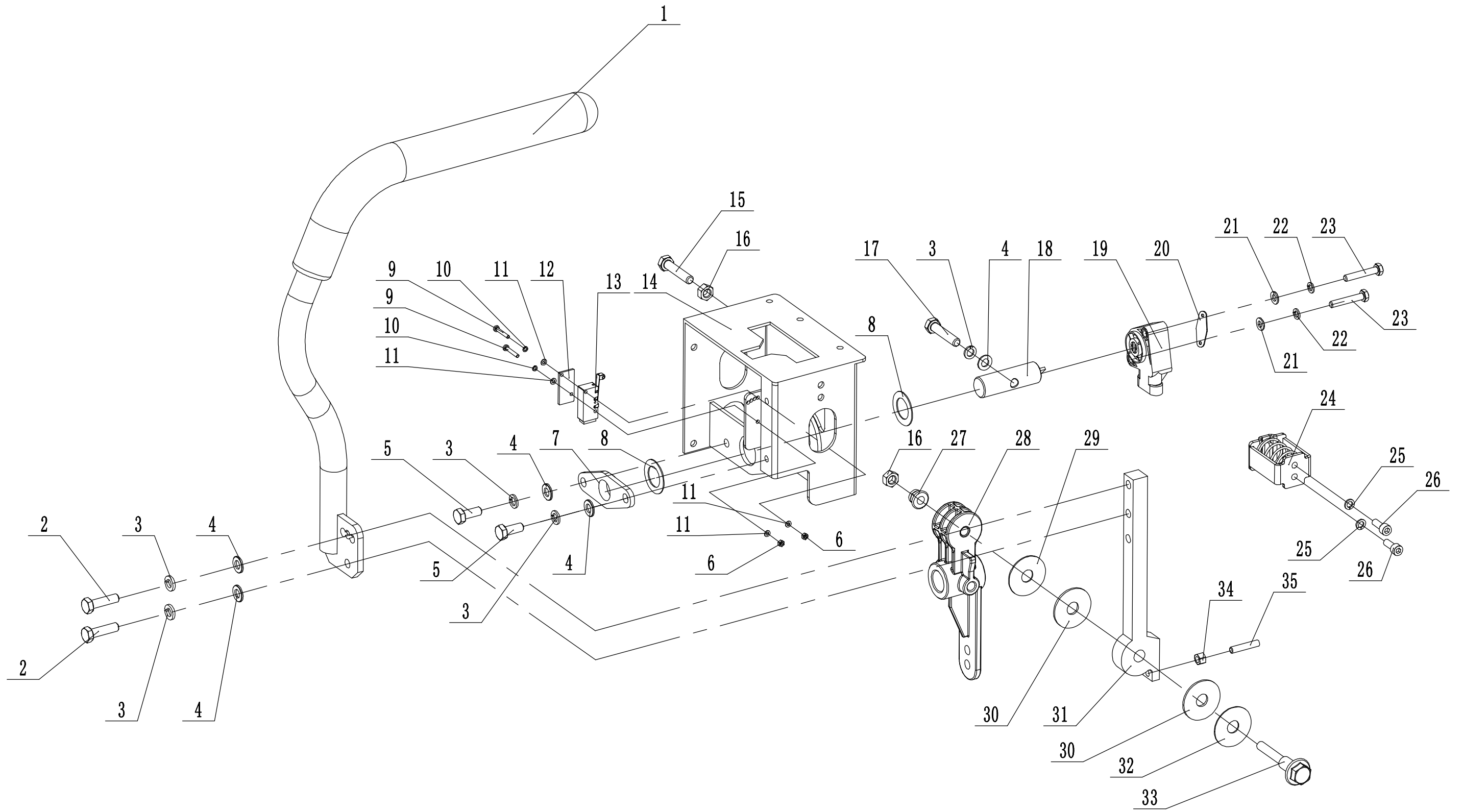
| Part 2 - Shell part Spare Parts | | |
|--|-----------------|-------------------|
| No. | ID Zboží | Název |
| 1 | Z42EB11000 | Display screen |
| 2 | 76LDH002 | Key switch |
| 3 | Z61C0200 | Knife switch |
| 4 | Z42EB01000/22 | Control panel |
| 5 | 0106003016 | Screw |
| 6 | 16003631-01 | Power outlet |
| 7 | Z42EB02000 | Rear cover |
| 8 | Z42EB03000 | Upper guard cover |
| 9 | Z42EB04000 | Left cover |
| 10 | Z42EB05000 | Upper cover |
| 11 | Z42EB06000 | Right cover |
| 12 | 0103006016/8P8 | Screw |
| 13 | Z42EB09000/22 | Shell layering |
| 14 | 0218006000 | Nut - M6 |
| 15 | Z42EB07000 | Front cover |
| 16 | Z42EB10000 | Rivet |

Model:WBZ106E
Service code:WBZ106E2012
Engine Part



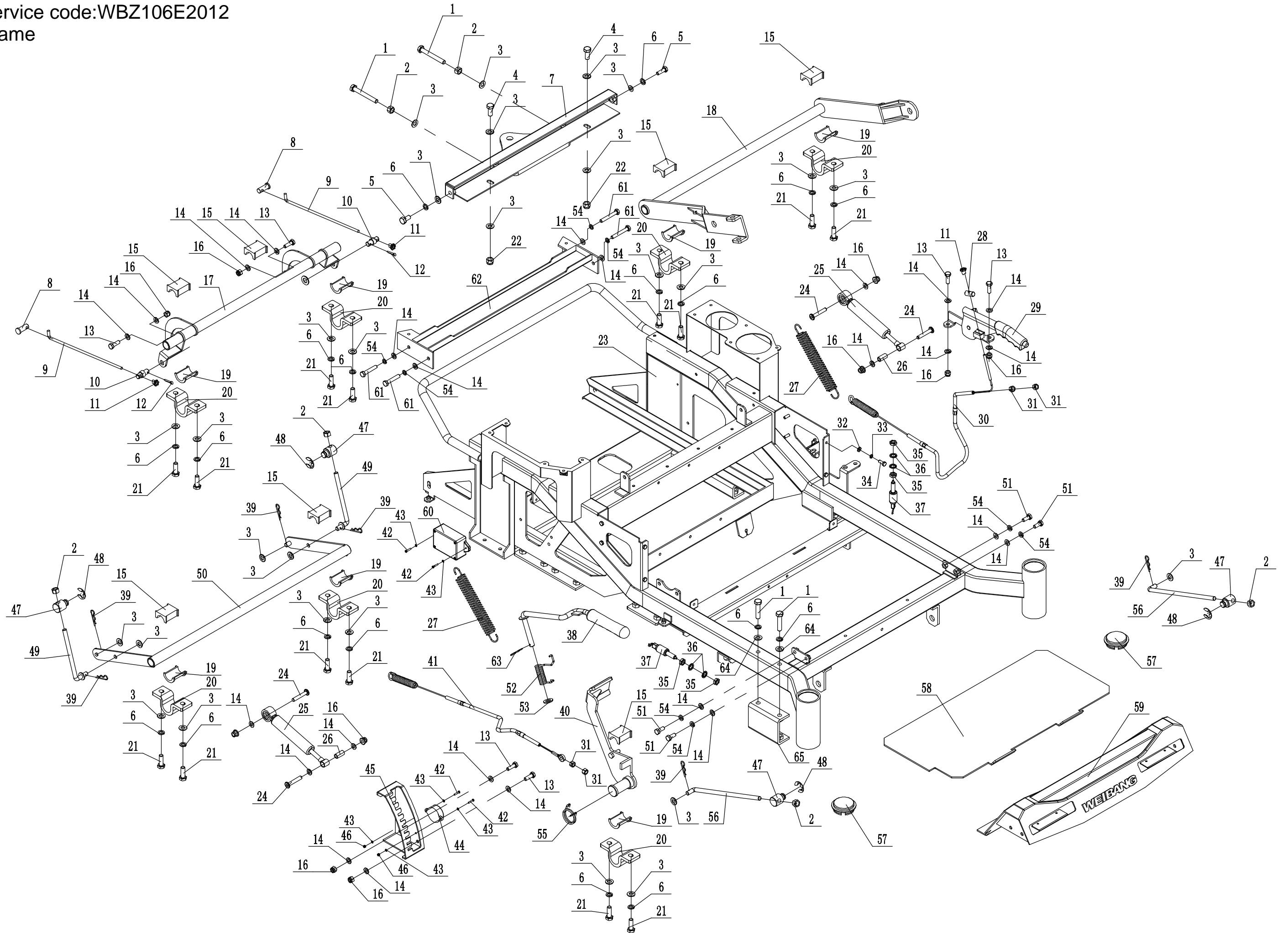
| Part 3 - Engine Part Spare Parts | | |
|---|-----------------|------------------------------------|
| No. | ID Zboží | Název |
| 1 | 0103008180 | Bolt - M8x180 |
| 2 | 0401008000 | Spring Washer - 8x2.1 |
| 3 | 0301008000 | Washer - 8x1.6 |
| 4 | 0104004020 | Screw |
| 5 | WB9681005 | fuse |
| 6 | Z42EC13000 | Connector |
| 7 | Z42EC01000 | Battery cover |
| 8 | 0101006020 | Bolt - M6x20 |
| 9 | 0401006000 | Spring Washer - 6x1.6 |
| 10 | 0301006000 | Washer - 6x1.6 |
| 11 | XS/Z42E0101 | Wire harness |
| 12 | WB9650008 | Positive sheath |
| 13 | XS/Z42E0105 | Wire harness |
| 14 | WB9650007 | Negative sheath |
| 15 | XS/Z42E0104 | Wire harness |
| 16 | Z42EC09000 | Battery |
| 17 | Z42EC02000/22 | Battery tray |
| 18 | 6203-2RS | Bearing |
| 19 | 1001017000 | Circlip |
| 20 | XS/Z42E0111 | Wire harness |
| 21 | XS/Z42E0115 | Wire harness |
| 22 | Z42EC03000 | Charger |
| 23 | Z42EC07000 | European standard charging cable |
| 24 | Z42EC04000 | American standard charging cable |
| 25 | Z42EC06000 | British standard charging cable |
| 26 | Z42EC05000 | Australian standard charging cable |

Model:WBZ106E
Service code:WBZ106E2012
Left handle part



| Part 4 - Left handle part Spare Parts | | |
|--|-----------------|-----------------------|
| No. | ID Zboží | Název |
| 1 | Z42ED01000/22 | Left handle |
| 2 | 0101008025 | Bolt - M8x25 |
| 3 | 0403008000 | Spring Washer - 8x2.4 |
| 4 | 0301008000 | Washer - 8x1.6 |
| 5 | 0101008025 | Bolt - M8x25 |
| 6 | 0201003000 | Nut - M3 |
| 7 | Z42ED02000/01 | Shaft presser |
| 8 | Z42ED03000 | Damping pad |
| 9 | 0104003020 | Screw - M3x20 |
| 10 | 0401003000 | Spring Washer - 3x0.6 |
| 11 | 0301003000 | Washer - 3x0.5 |
| 12 | Z42ED14000/22 | Pressure plate |
| 13 | Z42ED1600 | Switch |
| 14 | Z42ED04000/01 | Mounting plate |
| 15 | 0101008055 | Bolt - M8x55 |
| 16 | 0201008000 | Nut - M8 |
| 17 | 0101008055 | Bolt - M8x55 |
| 18 | Z42ED05000/06 | Shaft |
| 19 | Z42ED15000 | Electronic throttle |
| 20 | Z42ED06000/01 | Mounting plate |
| 21 | 0301004000 | Washer - 4x0.5 |
| 22 | 0401004000 | Spring Washer - 4x1.1 |
| 23 | 0101005035 | Bolt - M5x35 |
| 24 | Z42ED07000 | Handle return |
| 25 | 0401006000 | Spring Washer - 6x1.3 |
| 26 | 0103006016 | Bolt - M6x16 |
| 27 | 0210008000 | Lock Nut - M8 |
| 28 | Z42ED08000 | Hinge |
| 29 | Z42ED09000 | Damping pad |
| 30 | Z42ED10000/01 | Gasket |
| 31 | Z42ED11010/01 | Connector |
| 32 | Z42ED12000/04 | Dish Washer |
| 33 | Z42ED13000/04 | Bolt |
| 34 | 0201006000 | Nut - M6 |
| 35 | 0103006035 | Bolt - M6x35 |

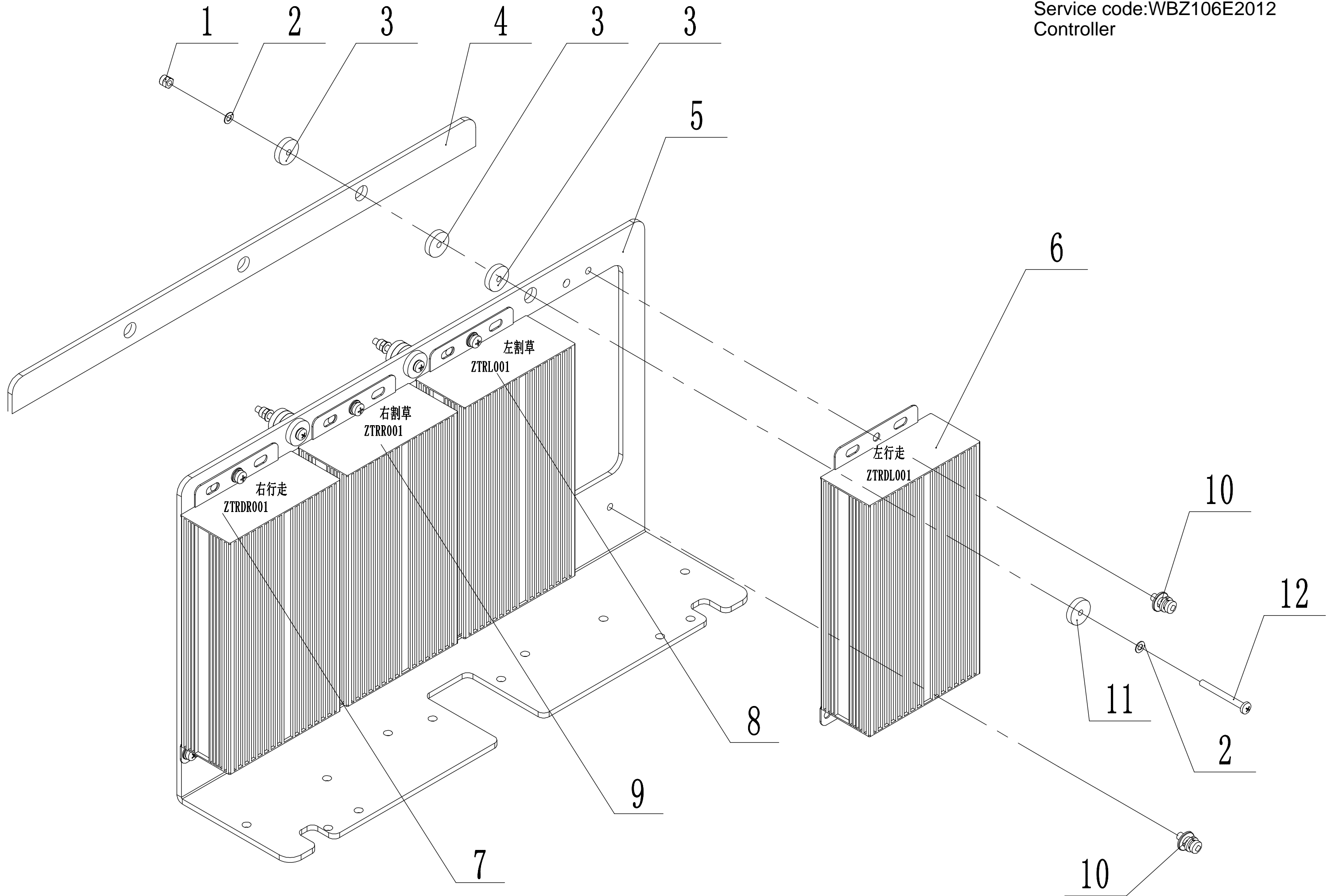
Model:WBZ106E
Service code:WBZ106E2012
Frame



| Part 5 - Frame Spare Parts | | |
|----------------------------|---------------|------------------------|
| No. | ID Zboží | Název |
| 1 | 0101010080 | Bolt - M10x80 |
| 2 | 0201010000 | Nut - M10 |
| 3 | 0302010000 | Washer - M10 |
| 4 | 0101010025 | Bolt - M10x25 |
| 5 | 0101010020 | Bolt - M10x20 |
| 6 | 0401010000 | Spring Washer - 10x2.6 |
| 7 | Z42EE01000/22 | Seal plate |
| 8 | Z42EE02000/01 | Pin |
| 9 | Z42EE03000/01 | Connecting Rod |
| 10 | Z42EE04000/01 | Pin |
| 11 | 76EH13010/02 | Nut |
| 12 | 0501004018 | Pin |
| 13 | 0101008020 | Bolt - M8x20 |
| 14 | 0301008000 | Washer - 8x1.6 |
| 15 | Z122320010 | Nylon Bush |
| 16 | 0202008000 | Lock Nut - M8 |
| 17 | Z42EE05000/22 | Shaft |
| 18 | Z42EE06000/22 | connecting rod |
| 19 | Z122319010 | Nylon Bush |
| 20 | Z42EE06070/49 | Steady |
| 21 | 0101010035 | Bolt - M10x35 |
| 22 | 0202010000 | Lock Bolt - M10 |
| 23 | Z42EE07000/49 | Frame |
| 24 | Z42EE08020 | Bolt - M8x45 |
| 25 | Z42EE08000 | Damper |
| 26 | Z42EE08010 | Casing |
| 27 | Z42EE09000/02 | Spring |
| 28 | 76EH12010/02 | Shaft |
| 29 | Z42EE23000 | Handle |
| 30 | Z42EE10000 | Brake cable |
| 31 | 0201008000 | Bolt - M8 |
| 32 | 0301006000 | Washer - 6x1.6 |
| 33 | 0401006000 | Spring Washer - 6x1.6 |
| 34 | 0101006020 | Bolt - M6x20 |
| 35 | 0206010000 | Nut - M10 |
| 36 | Z42EE24000 | Washer |
| 37 | Z42EE32000 | Brake switch |
| 38 | Z42EE11000/22 | Handle |
| 39 | Z42EE33000 | Pin - 2.8x50 |
| 40 | Z42EE12000/22 | Foot brake pedal |
| 41 | Z42EE13000 | Brake cable |
| 42 | 0104003016 | Screw - M3x16 |
| 43 | 0301003000 | Washer - 3x0.5 |
| 44 | Z42EE30000 | speaker |
| 45 | Z42EE14000/22 | Index plate |
| 46 | 0202003000 | Lock Nut - M3 |
| 47 | Z42EE15000/01 | Pin |
| 48 | 0501004032 | E-Clip - M15 |
| 49 | Z42EE16000/01 | Pull hook |
| 50 | Z42EE17000/22 | connecting rod |
| 51 | 0101008025 | Bolt - M8x25 |
| 52 | Z42EE18000/02 | spring |
| 53 | 0301012000 | Washer - 12x2.5 |
| 54 | 0403008000 | Spring Washer - 8x2.4 |
| 55 | Z42EE19000/02 | Spring |
| 56 | Z42EE20000/01 | Hanging rod |
| 57 | 10FS040601 | Dust cover |
| 58 | Z42EE21000/49 | Pedal |
| 59 | Z42EE27000/49 | Pedal |
| 60 | Z42EE31000 | Power |

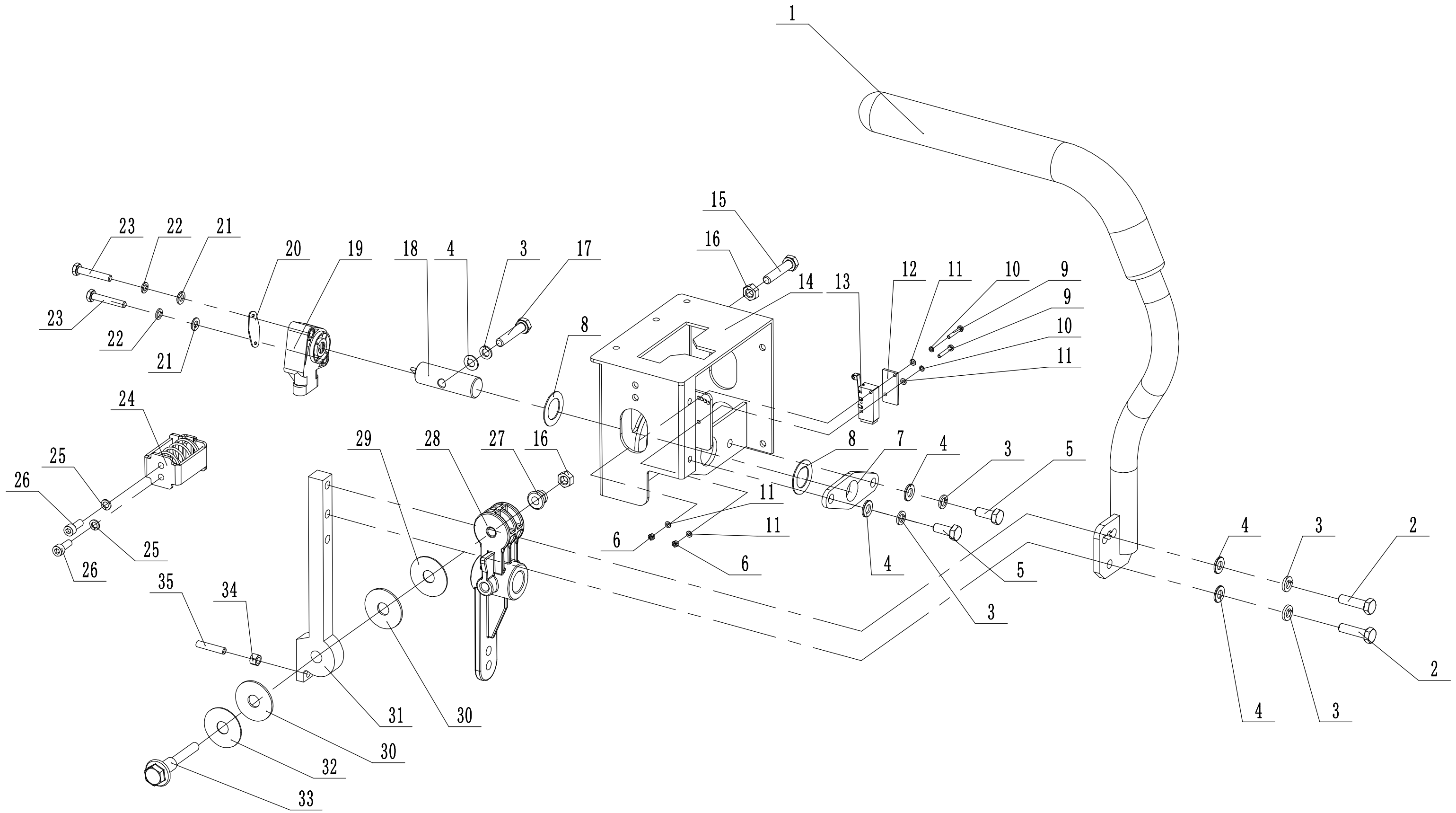
| No. | ID Zboží | Název |
|-----|---------------|-----------------|
| 61 | 0101008060 | Bolt - M8x60 |
| 62 | Z42EE25000/49 | Support beam |
| 63 | 0501003020 | Pin - 3.2x20 |
| 64 | 0303010000 | Washer - 10x2.5 |
| 65 | Z42EE28000/49 | Mounting seat |

Model:WBZ106E
Service code:WBZ106E2012
Controller



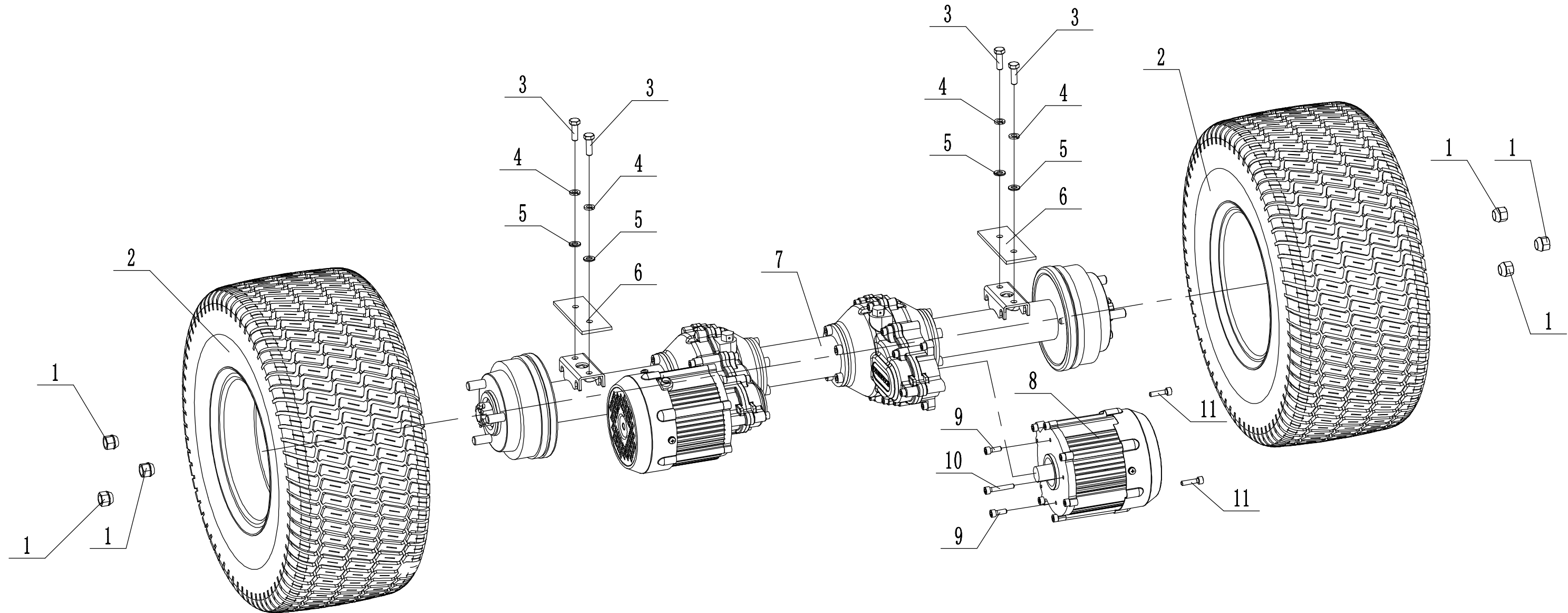
| Part 6 - Controller Spare Parts | | |
|--|-----------------|-------------------------|
| No. | ID Zboží | Název |
| 1 | 0202004000 | Lock Nut - M4 |
| 2 | 0301004000 | Washer - 4x0.5 |
| 3 | 76ED06010 | Insulation pad |
| 4 | Z42EF02000/22 | Pad |
| 5 | Z42EF01010/22 | Mounting plate |
| 6 | Z42EF03010 | Left walk controller |
| 7 | Z42EF03020 | Right walk controller |
| 8 | Z42EF03030 | Left mowing controller |
| 9 | Z42EF03040 | Right mowing controller |
| 10 | 0126005012 | Screw - M5x12 |
| 11 | 76ED05010 | Septum |
| 12 | 0104004040 | Screw - M4x40 |

Model:WBZ106E
Service code:WBZ106E2012
Right handle part



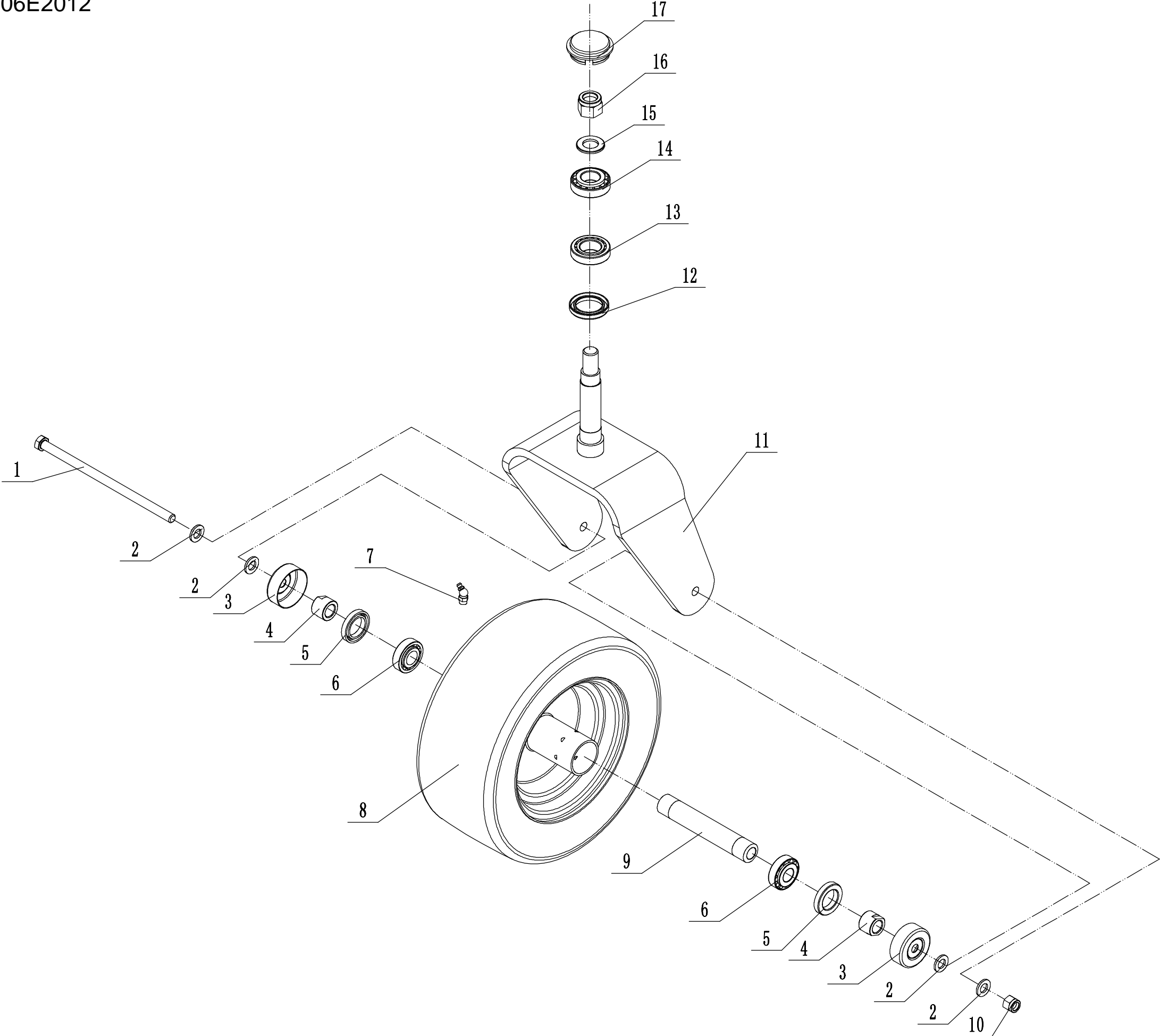
| Part 7 - Right handle part Spare Parts | | |
|---|-----------------|-----------------------|
| No. | ID Zboží | Název |
| 1 | Z42EG01000/22 | Right handle |
| 2 | 0101008025 | Bolt - M8x25 |
| 3 | 0403008000 | Spring Washer - 8x2.4 |
| 4 | 0301008000 | Washer - 8x1.6 |
| 5 | 0101008025 | Bolt - M8x25 |
| 6 | 0201003000 | Nut - M3 |
| 7 | Z42ED02000/01 | Pressure plate |
| 8 | Z42ED03000 | Damping pad |
| 9 | 0104003020 | Screw - M3x20 |
| 10 | 0401003000 | Spring Washer - 3x0.6 |
| 11 | 0301003000 | Washer - 3x0.5 |
| 12 | Z42ED14000/22 | Pressure plate |
| 13 | Z42ED1600 | Switch |
| 14 | Z42EG04000/01 | Mounting plate |
| 15 | 0101008055 | Bolt - M8x55 |
| 16 | 0201008000 | Nut - M8 |
| 17 | 0101008055 | Bolt - M8x55 |
| 18 | Z42ED05000/06 | Shaft |
| 19 | Z42ED15000 | Electronic throttle |
| 20 | Z42ED06000/01 | Mounting plate |
| 21 | 0301004000 | Washer - 4x0.5 |
| 22 | 0401004000 | Spring Washer - 4x1.1 |
| 23 | 0101005035 | Bolt - M5x35 |
| 24 | Z42EG07000 | Handle return |
| 25 | 0401006000 | Spring Washer - 6x1.3 |
| 26 | 0101006016 | Bolt - M6x16 |
| 27 | 0210008000 | Lock Nut - M8 |
| 28 | Z42ED08000 | Hinge |
| 29 | Z42ED09000 | Damping pad |
| 30 | Z42ED10000/01 | Gasket |
| 31 | Z42ED11020/01 | Connector |
| 32 | Z42ED12000/04 | Dish Washer |
| 33 | Z42EG13000/04 | Bolt |
| 34 | 0201006000 | Nut - M6 |
| 35 | 0103006035 | Bolt - M6x35 |

Model:WBZ106E
Service code:WBZ106E2012
Rear Wheel



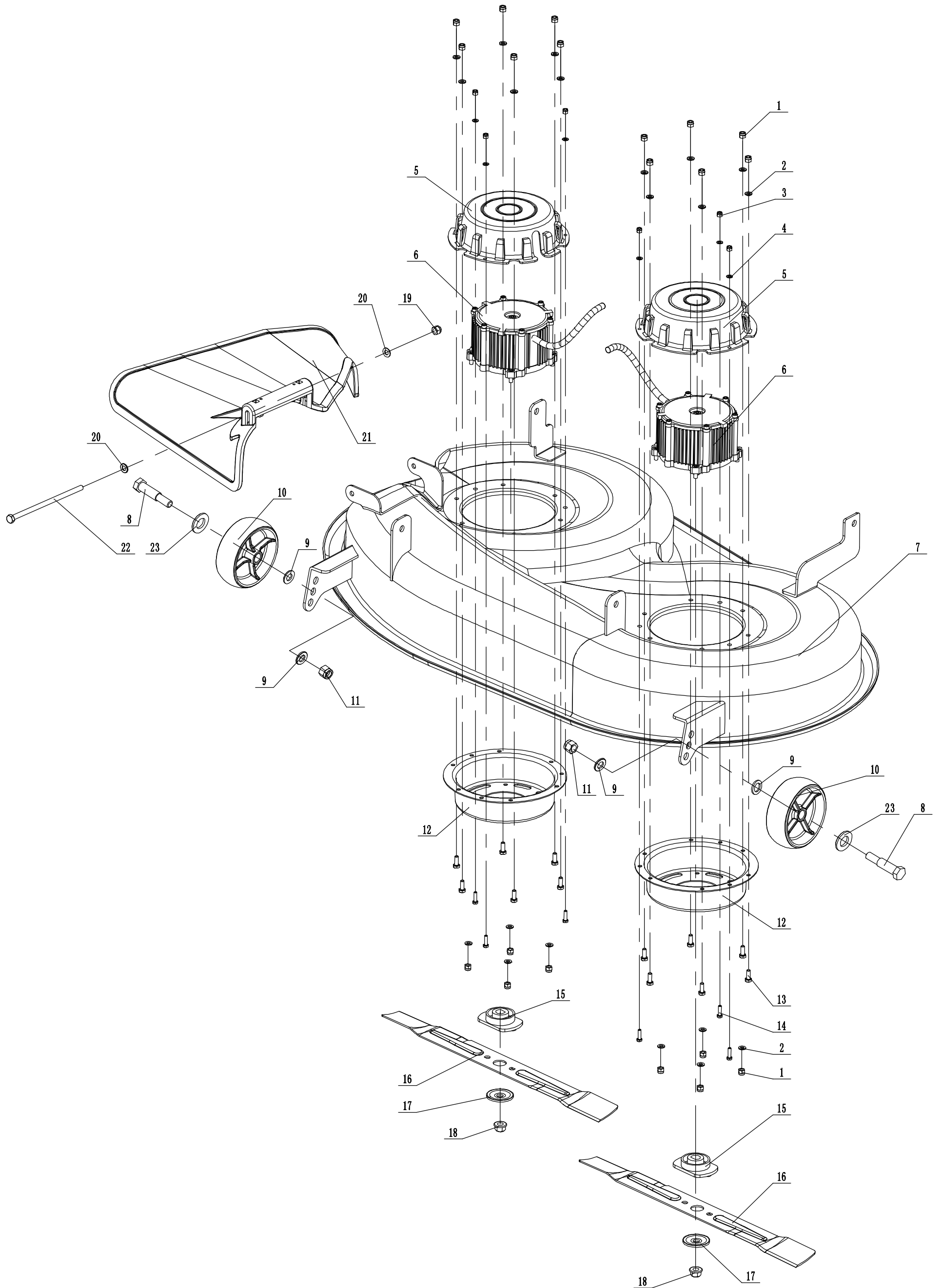
| Part 8 - Rear Wheel Spare Parts | | |
|--|-----------------|----------------------------|
| No. | ID Zboží | Název |
| 1 | 0215012000 | Nut - M12 |
| 2 | Z42EH01000 | Rear wheel |
| 3 | 0101008035 | Bolt - M8x35 |
| 4 | 0403008000 | Spring Washer - 8x2.4 |
| 5 | 0301008000 | Washer - 8x1.6 |
| 6 | Z42EE26000/01 | pad |
| 7 | Z42EH02000 | Rear Transmission Assembly |
| 8 | WB9250007 | Motor |
| 9 | 0103006025 | Screw - M6*25 |
| 10 | 0103006080 | Screw - M6*80 |
| 11 | 0123006040 | Screw - M6*40 |

Model:WBZ106E
Service code:WBZ106E2012
Front wheel



| Part 9 - Front wheel Spare Parts | | |
|---|-----------------|-----------------------------------|
| No. | ID Zboží | Název |
| 1 | 0101012180 | Bolt - M12x180 |
| 2 | 0301012000 | Washer - ϕ 12 |
| 3 | Z6190300/02 | Sheath of wheel |
| 4 | Z485020000/02 | Cap |
| 5 | Z6190700 | Oil seal |
| 6 | LM11949-10 | Bearing |
| 7 | 2501008001A | zerk M8x1 |
| 8 | Z48LZ011 | Front wheel |
| 9 | Z485030000/02 | Inner shaft sheath of front wheel |
| 10 | 0202012000 | Lock Nut - M12 |
| 11 | Z122302010/49 | Front wheel bracket |
| 12 | 1502052035 | Seal ring |
| 13 | 320-28 | Bearing |
| 14 | 30205 | Bearing |
| 15 | 0301020000 | Washer |
| 16 | 0202020000 | Lock nut - M20 |
| 17 | 10FS040601 | Cap |

Model:WBZ106E
Service code:WBZ106E2012
Blade disc



| Part 10 - Blade disc Spare Parts | | |
|---|-----------------|-----------------|
| No. | ID Zboží | Název |
| 1 | 0202006000 | Lock Nut - M6 |
| 2 | 0301006000 | Washer - 6x1.6 |
| 3 | 0202005000 | Lock Nut - M5 |
| 4 | 0301005000 | Washer - 5x1.6 |
| 5 | Z42EK01000 | Engine cover |
| 6 | WB9250008 | Engine |
| 7 | Z42EK02000/22 | Blade Disc |
| 8 | Z42EK03000/01 | Wheel shaft |
| 9 | 0301012000 | Washer - 12x2.5 |
| 10 | Z42EK04000 | Scroll wheel |
| 11 | 0202012000 | Lock Nut - M12 |
| 12 | 76EF11010/34 | Engine base |
| 13 | 0101006016 | Bolt - M6x16 |
| 14 | 0101005016 | Bolt - M5x16 |
| 15 | 76EF12010 | Adapter |
| 16 | Z42EK05000/32 | Blade |
| 17 | 5310406010/04 | Dish Washer |
| 18 | 0203010000 | Lock Nut - M10 |
| 19 | 0202008000 | Lock Nut - M8 |
| 20 | 0301008000 | Washer - 8x1.6 |
| 21 | Z42EK06000 | Deflector |
| 22 | 0101008170 | Bolt - M8x170 |
| 23 | Z42EK09000/02 | Washer |