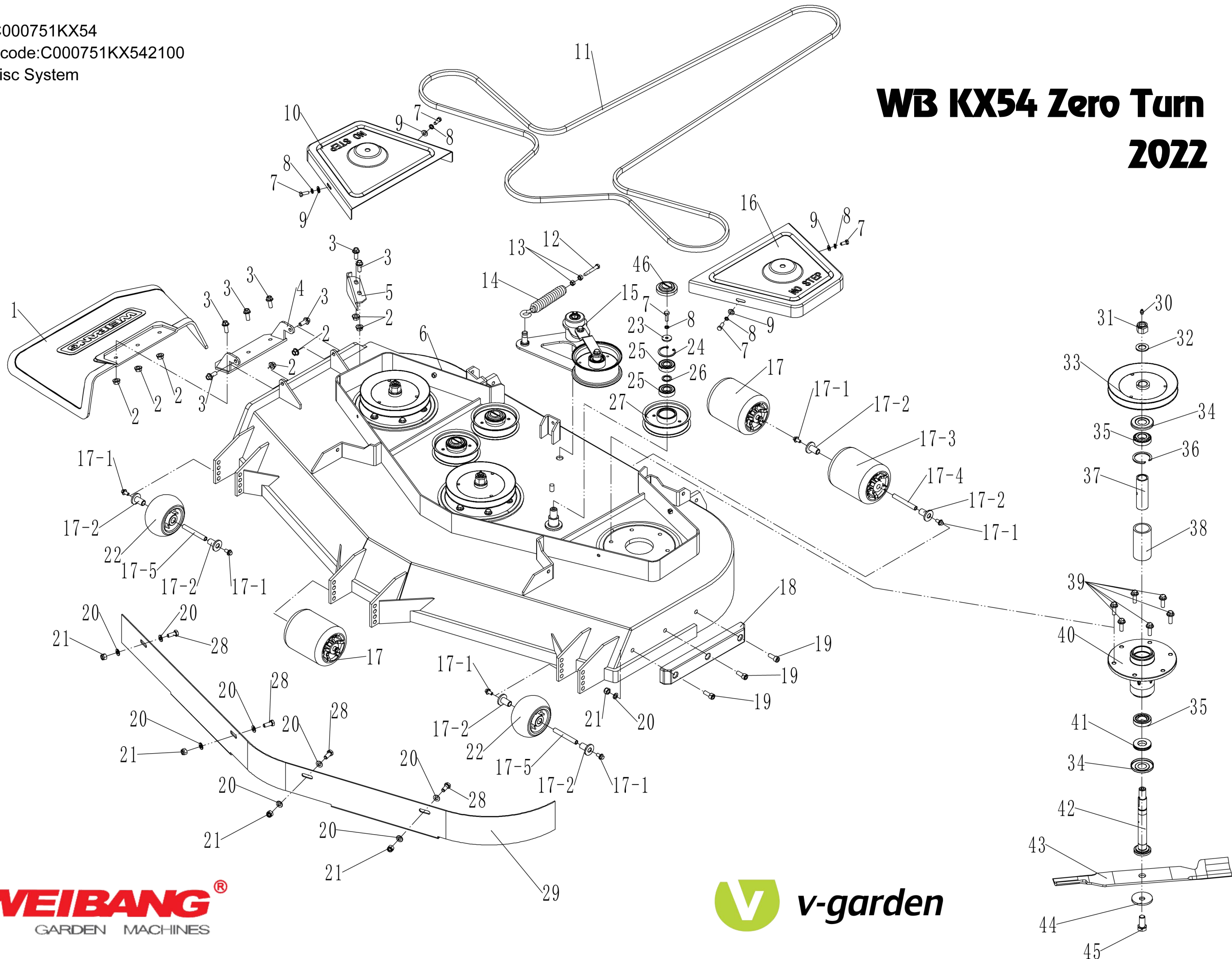


Model:C000751KX54  
Service code:C000751KX542100  
Blade Disc System

# WB KX54 Zero Turn 2022

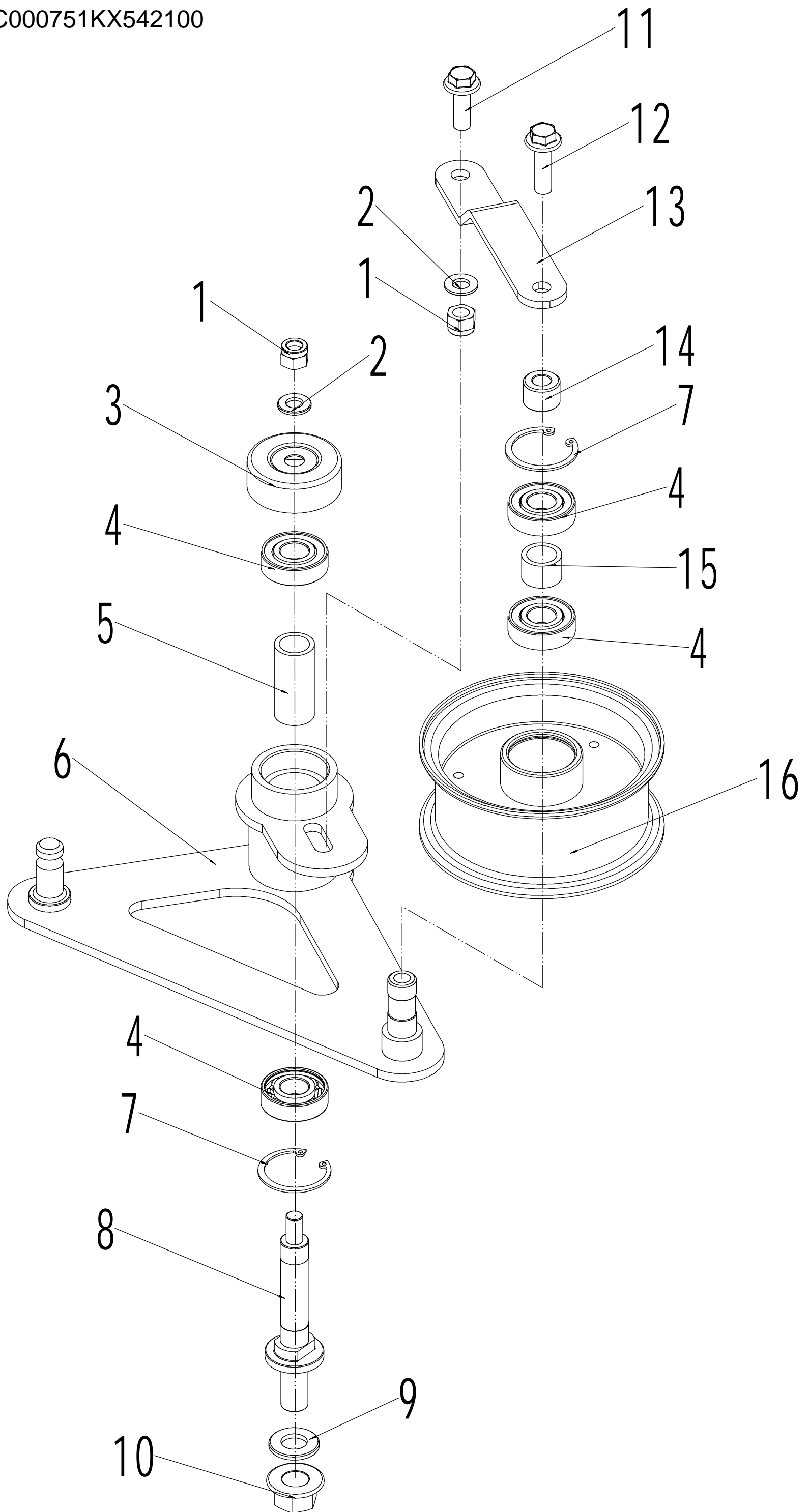


<b>Part 1 - Blade Disc System Spare Parts</b>		
<b>No.</b>	<b>ID Zboží</b>	<b>Název</b>
1	Z6120701	Grass Deflector
2	0204010000	Nut - M10
3	0102010025	Bolt - M10x25
4	Z6120702/49	Install plate of deflector
5	Z5420900/49	Wind Deflector
6	Z5420100/49	Blade disc assembly
7	0101008020	Bolt - M8x20
8	0401008000	Spring washer - $\varphi 8$
9	0301008000	Flat washer 8x1.6
10	Z6120500/22	Right pulley cover
11	Z5421500	Belt of blade disc
12	0101010055	Bolt - M10x55
13	0201010000	Nut - M10
14	Z61A0400	Tensional spring
15	Z61A0100	Tensional part
16	Z6120200/22	Left pulley cover
17	Z5420300	Roller assembly
17-1	0102008020	Bolt - M8x20
17-2	Z122110030	Nylon bush
17-3	Z6120301	Front roller
17-4	Z122110020/02	Wheel shaft 1
17-5	Z122110050/02	Wheel shaft 2
18	Z6121300	Outside skirt of blade disc
19	0103010040	Bolt - M10x40
20	0301010000	$\varnothing 10$
21	0202010000	Nut - M10
22	Z122110010	Small wheel
23	0302010000	Washer
24	0901047000	Check ring $\varphi 47$
25	6204-2RS	Bearing
26	Z122105020/02	Partition
27	Z122105030/01	Deflecting wheel
28	0101010025	Bolt - M10x25
29	Z5421000/49	Front guard
30	2501008001A	Oil cup
31	0202020000	Nut - M20
32	0301020000	Flat washer - M20x3
33	Z6120402/01	Pulley of Blade disc
34	Z122104040/02	Bearing cover
35	30205	Bearing
36	Z6120403	Partition
37	Z6120405/06	Inner Partition
38	Z6120406/02	Outside Partition
39	0102010030	Bolt - M10x30
40	Z6120404/02	Bearing base
41	Z6120409	Oil sealing ring
42	Z6120401/02	Shaft of blade
43	Z5420407/32	Blade
44	Z6120408/04	Dish washer
45	Z6120410	Central bolt
46	Z6121400	Water-proof cover

Model:C000751KX54

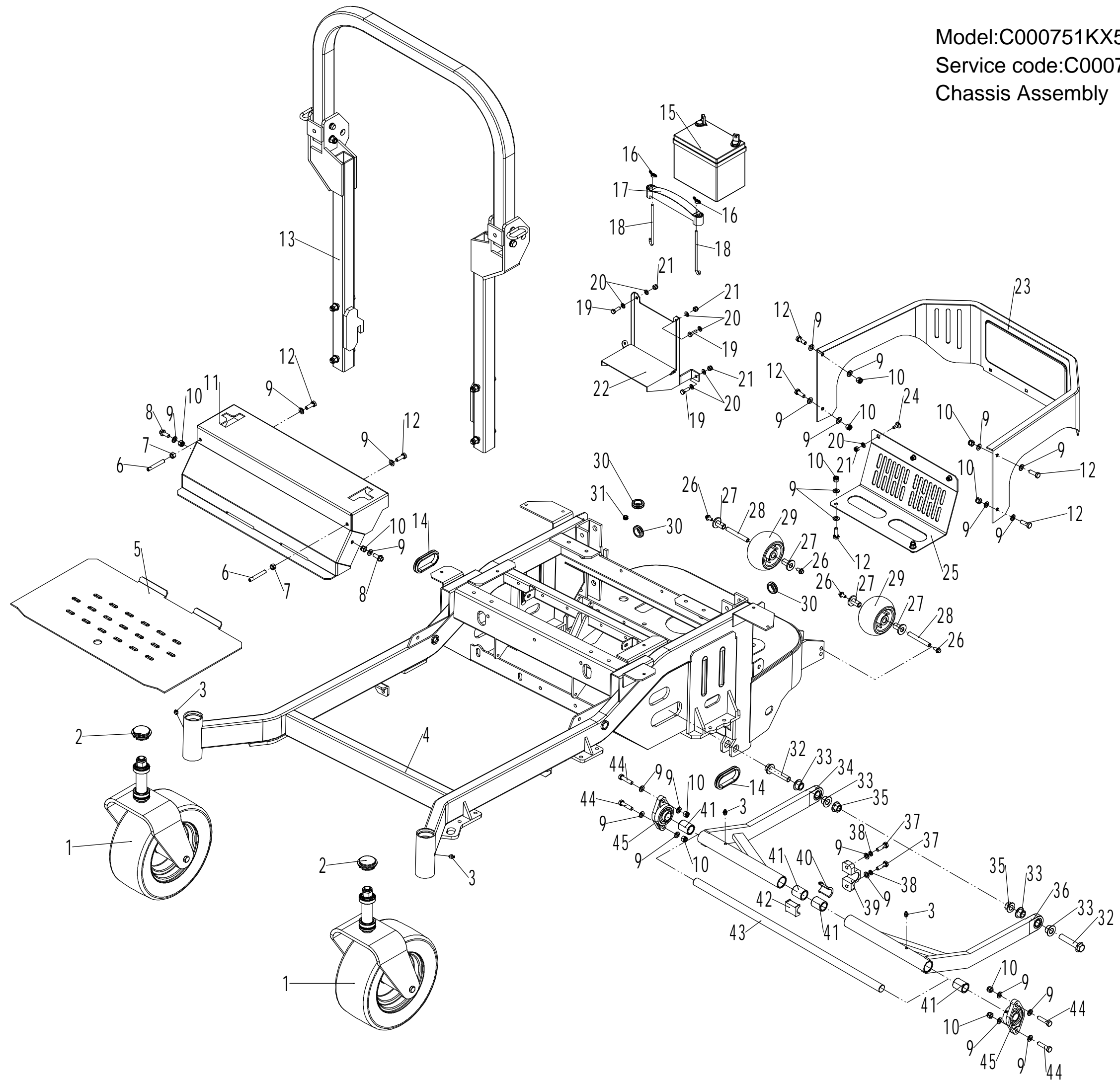
Service code:C000751KX542100

Tensional Part



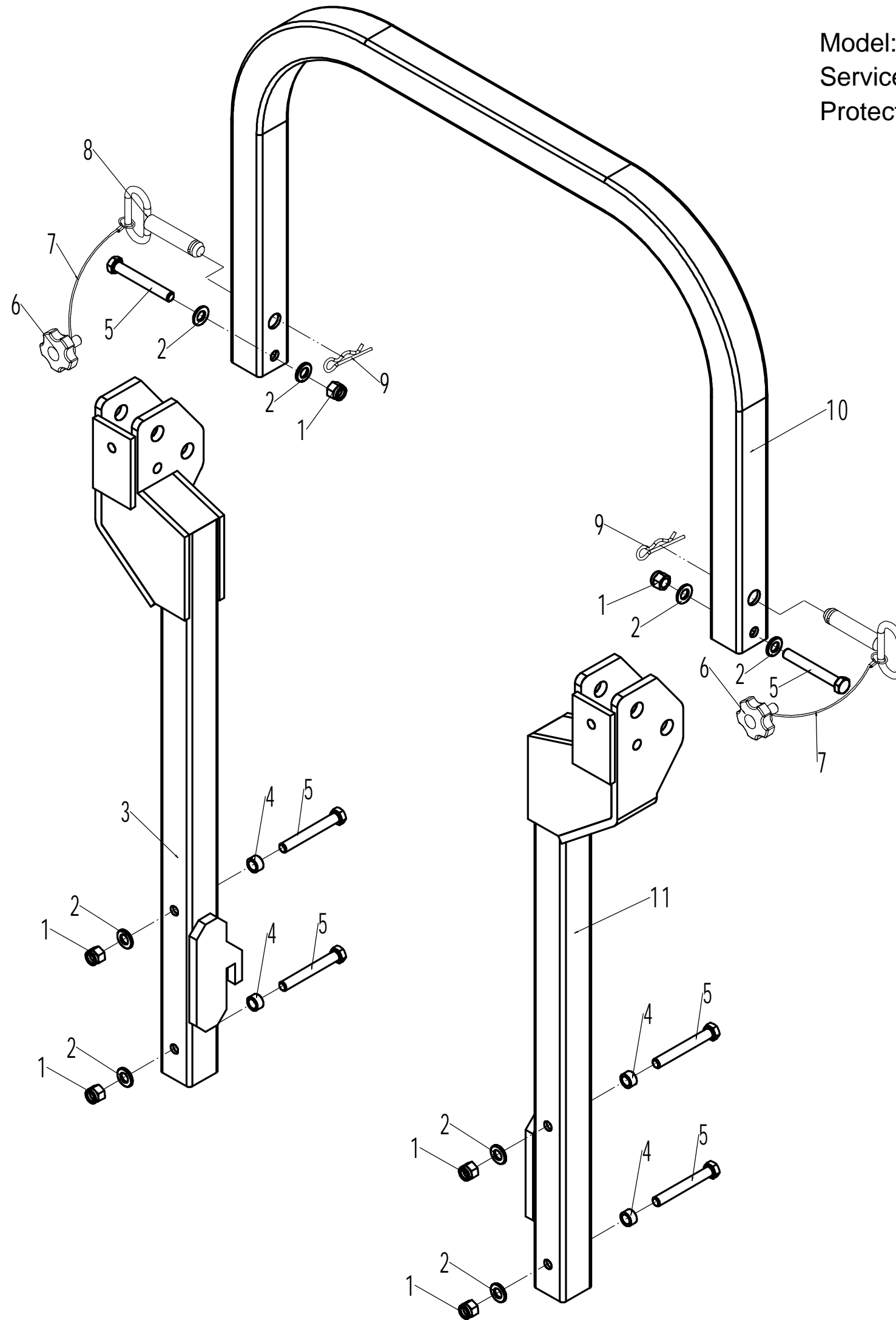
<b>Part 2 - Tensional Part Spare Parts</b>		
<b>No.</b>	<b>ID Zboží</b>	<b>Název</b>
1	0202010000	Lock Nut - M10
2	0301010000	Flat Washer - M10
3	Z122303010/02	Bush
4	6203-2RS	Bearing
5	Z61A0500/06	Inner partition
6	Z61A0200/22	Bracket
7	0901040000	Check ring 40
8	Z61A0600/04	Shaft of tensional part
9	0301016000	Washer $\Phi$ 16
10	0202016000	Lock Nut - M16
11	0102010030	Bolt - M10*30
12	0102010035	Bolt - M10*35
13	Z61A0300/02	Connecting Rod
14	Z61A0800/02	Washer
15	Z122108020/02	Inner partition
16	Z122108040/01	Tensional pulley

Model:C000751KX54  
Service code:C000751KX542100  
Chassis Assembly



<b>Part 3 - Chassis Assembly Part Spare Parts</b>		
<b>No.</b>	<b>ID Zboží</b>	<b>Název</b>
1	Z6190000	Front wheel assembly
2	10FS040601	Dust-proof cover
3	2501008001A	Oil cup
4	Z15310200/44	Chassis
5	Z6110300/49	Middle pedal
6	0105010060	Screw - M10x60
7	0201010000	Nut - M10
8	0102010025	Bolt - M10x25
9	0301010000	Washer 10x2
10	0202010000	Nut - M10
11	Z6151400/22	Front panel
12	0101010030	Bolt - M10x30
13	Z6140000	Protecting frame
14	Z6171800	Rubber ring
15	DC12036	Battery
16	0211008000	Nut - M8
17	Z6180300	Pressing plate
18	Z6180200/01	Pull rod
19	0101008025	Bolt - M8x25
20	0301008000	Washer - M8x1.6
21	0202008000	Nut - M8
22	Z6180100/22	Bottom plate
23	Z6170700/22	Engine guard
24	0107108020	Bolt - M8x20
25	Z6170800/22	Bottom plate
26	0102010020	Bolt - M10x20
27	Z122110030	Nylon bush
28	Z122110050/02	Wheel shaft
29	Z122110010	Wheel
30	Z61C0800	Rubber ring
31	Z6172500	Rubber ring 8x6
32	0102016070	Bolt - M16x70
33	Z6171200	Partition
34	Z15370400/44	Right hang stick
35	0204016000	Nut 16
36	Z15370500/44	Left hang stick
37	0101010035	Bolt - M10x35
38	0401010000	Spring washer 10x2.8
39	Z6172600	Bracket
40	Z122319010	Nylon bush
41	Z6171300	Partition 1
42	Z122320010	Nylon bush
43	Z6171100/02	Hang shaft
44	0101010045	Bolt - M10x45
45	UCFL205	Bearing

Model:C000751KX54  
Service code:C000751KX542100  
Protecting Frame



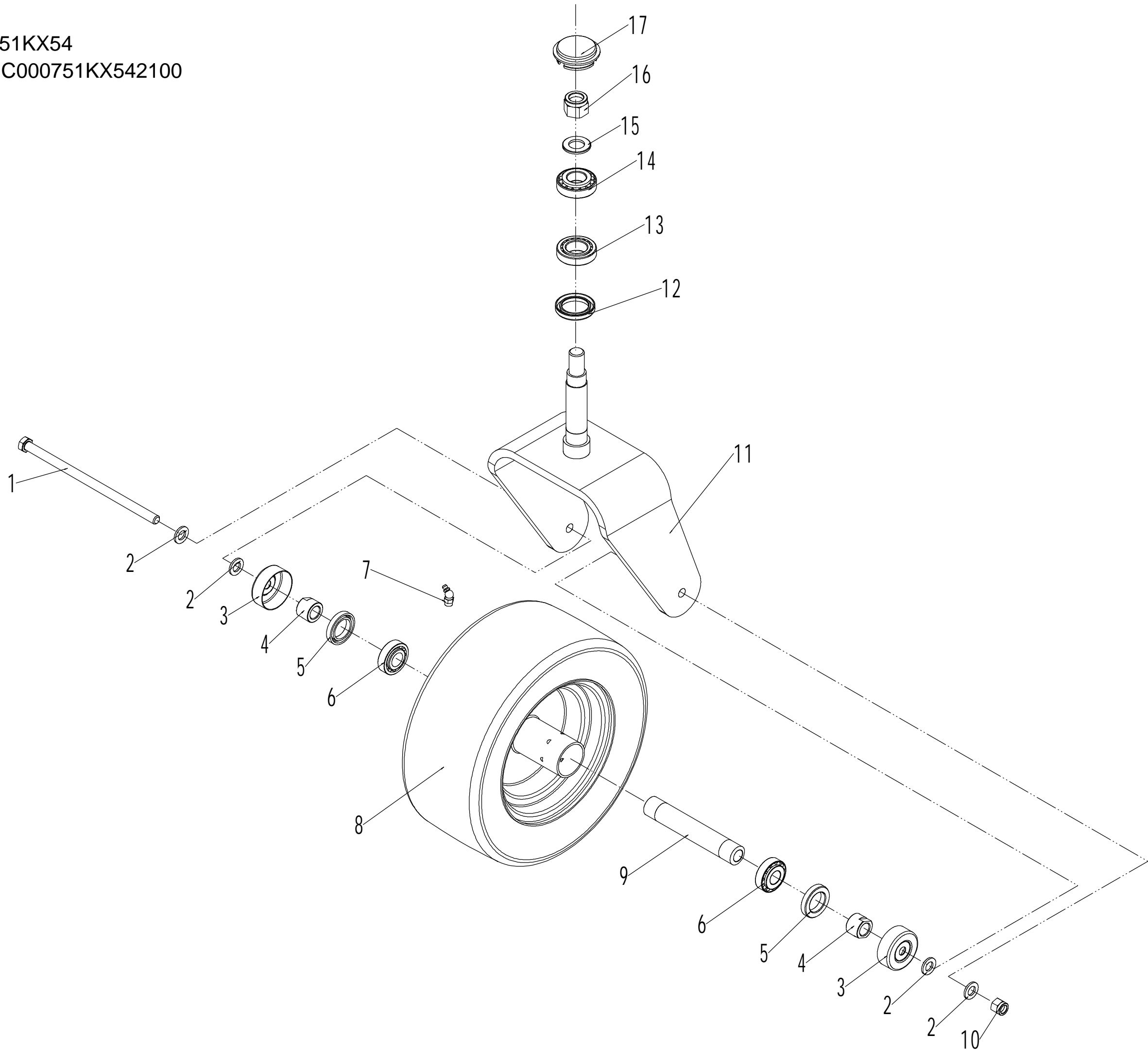
<b>Part 4 - Protecting Frame Part Spare Parts</b>		
<b>No.</b>	<b>ID Zboží</b>	<b>Název</b>
1	0202012000	Nut - M12
2	0301012000	Washer $\Phi$ 12
3	Z6140100/22	Lower left protecting frame
4	Z6140500/02	Partition
5	0101012090	Blot - M12*90
6	Z6140400	Bolt - M10×30
7	Z6140700	Hang rope
8	Z122209010/01	Pin
9	Z6140800	Check ring
10	Z6140200/22	Upper protecting frame
11	Z6140300/22	Lower Right protecting frame



Model:C000751KX54

Service code:C000751KX542100

Front Wheels

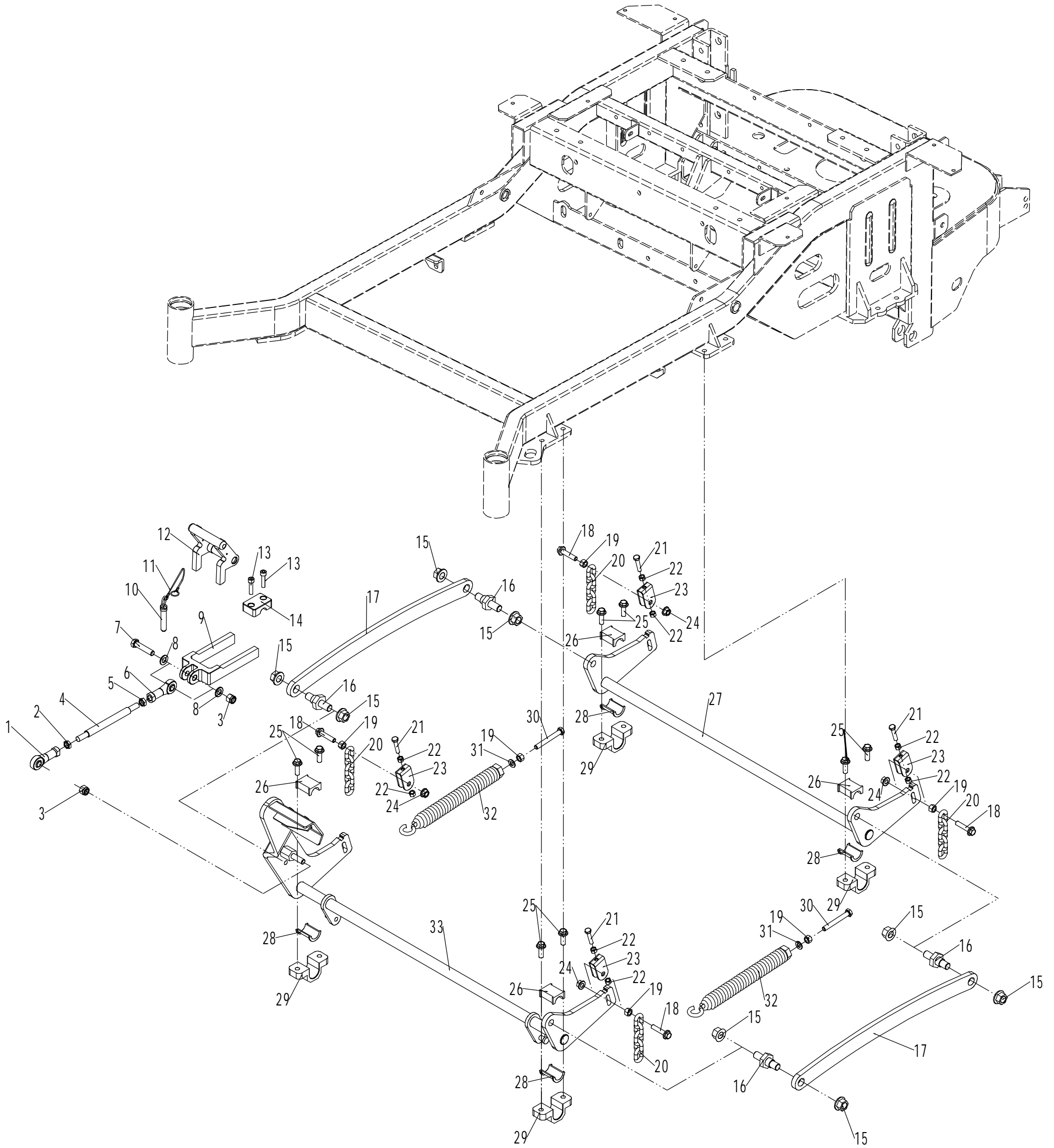


<b>Part 5 - Front Wheels Part Spare Parts</b>		
<b>No.</b>	<b>ID Zboží</b>	<b>Název</b>
1	0101012240	Bolt - M12*240
2	0301012000	Flat washer - M12
3	Z6190300	Bush
4	Z6190500/02	Partition
5	Z6190700	Oil sealing
6	LM11949-10	Bearing
7	2501008001A	Oil cup
8	Z6190200	Front wheel
9	Z6190400/02	Inner partition
10	0202012000	Nut - M12
11	Z6190100/49	Front wheel bracket
12	1505203506	Sealing ring
13	320-28	Bearing
14	30205	Bearing
15	0301020000	Washer $\varphi$ 20
16	0202020001	Nut - M20
17	10FS040601	Dust-proof cover

Model:C000751KX54

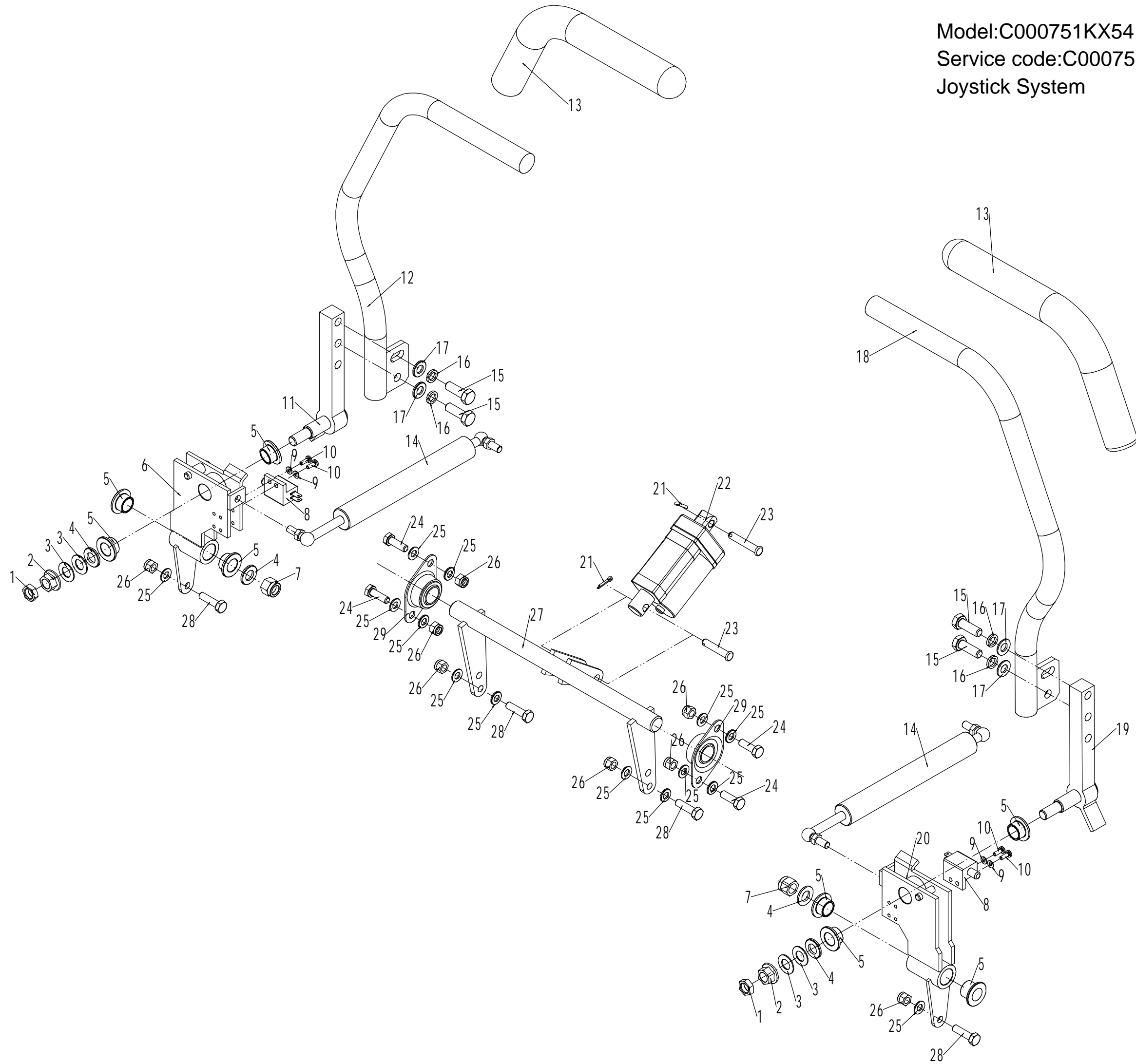
Service code:C000751KX542100

Lifting Equipment



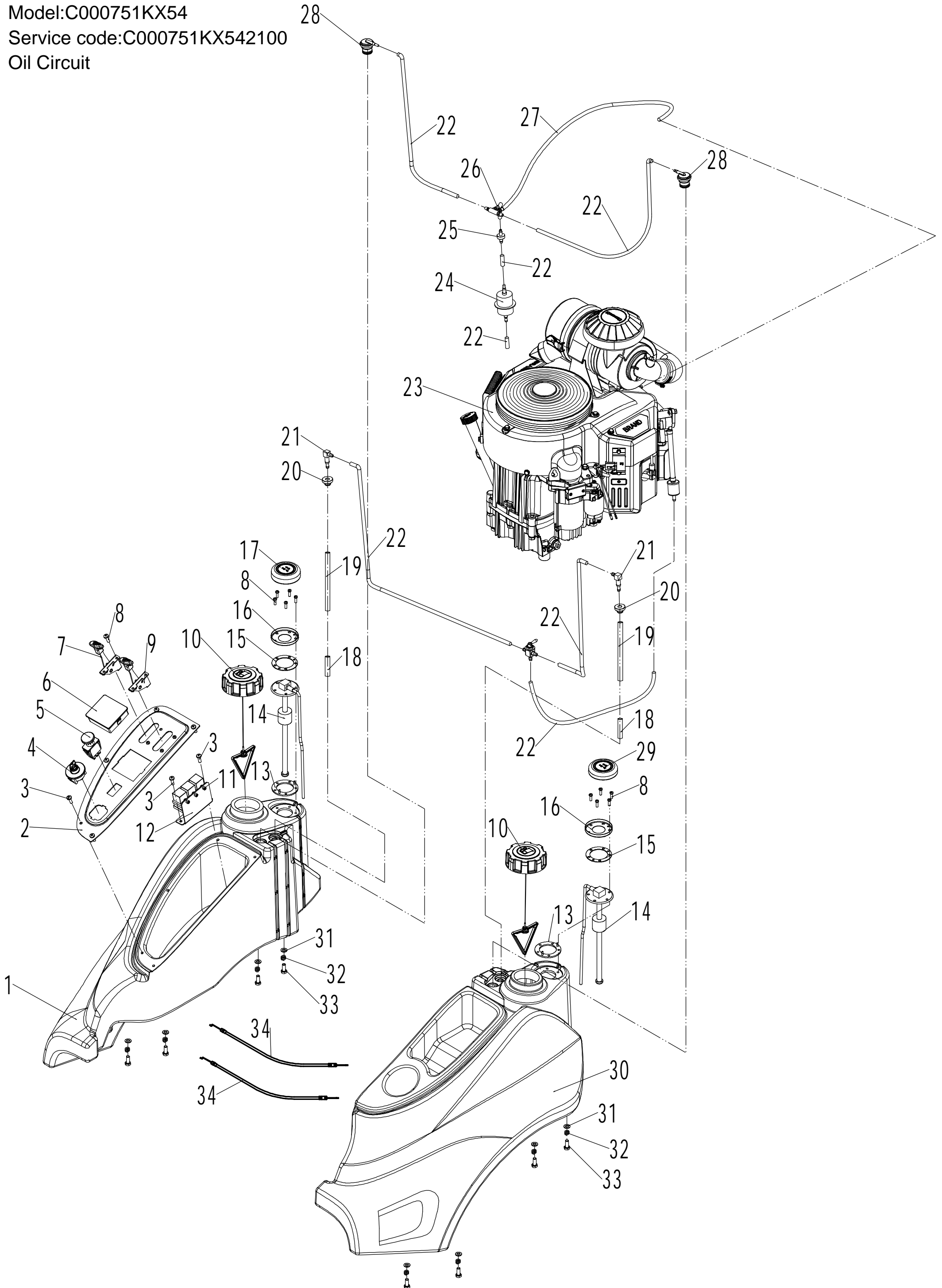
<b>Part 6 - Lifting Equipment Part Spare Parts</b>		
<b>No.</b>	<b>ID Zboží</b>	<b>Název</b>
1	SI12-TK	Bearing
2	0201012000	Nut - M12
3	0202012000	Nut - M12
4	Z6131000/02	Lifting Rod
5	0201012000	Nut - M12
6	SIL12-TK	Bearing
7	0101012055	Bolt - M12×55
8	0301012000	Washer 12×2.5
9	Z6131200/04	Sliding block
10	Z6130800/02	Pin
11	Z6140700	Hang rope
12	Z6110400/01	Lock lever
13	0103008035	Screw - M8×35
14	Z6110500	Pressing block
15	0203116000	Nut - M16
16	Z6130900/02	Pin
17	Z6130700/49	Connecting Rod
18	0101010055	Bolt - M10x55
19	0201010000	Nut - M10
20	Z122115010/02	Hang chain
21	0101008040	Bolt - M8×40
22	0201008000	Nut - M8
23	Z6130500/02	Chain adjuster
24	0204010000	Nut - M10
25	0102010035	Bolt - M10x35
26	Z122320010	Nylon bush
27	Z6131100/49	Rear connecting rod
28	Z122319010	Nylon bush
29	Z122305010/49	Bracket
30	0101010070	Bolt - M10x70
31	0301010000	Washer 10×2
32	Z6130100/04	Pull spring
33	Z6130600/49	Front connecting rod

Model:C000751KX54  
Service code:C000751KX542100  
Joystick System



<b>Part 7 - Joystick System Part Spare Parts</b>		
<b>No.</b>	<b>ID Zboží</b>	<b>Název</b>
1	0206012000	Nut - M12
2	0204012000	Nut - M12
3	0402012000	Washer 12×1
4	0301012000	Washer 12×2.5
5	Z6150500	Partition
6	Z6151000/02	Right handle joint
7	0202012000	Nut - M12
8	Z61C0300	Switch
9	0301004000	Flat washer - M4×0.8
10	0104004012	Screw - M4×12
11	Z6150900/01	Right handle connecting block
12	Z6150800/22	Right handle
13	Z6150100	Handle sheath
14	Z610700	Damper
15	0101010030	Bolt - M10×30
16	0401010000	Spring washer 10×2.6
17	0301010000	Washer 10×2
18	Z6150200/22	Left handle
19	Z6150300/01	Left handle connecting block
20	Z6150400/02	Left handle joint
21	0501003014	Check ring 3.2×14
22	Z6151800	Electric pushing rod
23	0101006045	Bolt - M6×45
24	0101008025	Bolt - M8×25
25	0301008000	Washer 8×1.6
26	0202008000	Nut - M8
27	Z6160100/02	Brake shaft
28	0101008030	Bolt - M8×30
29	EGLM20	Bearing

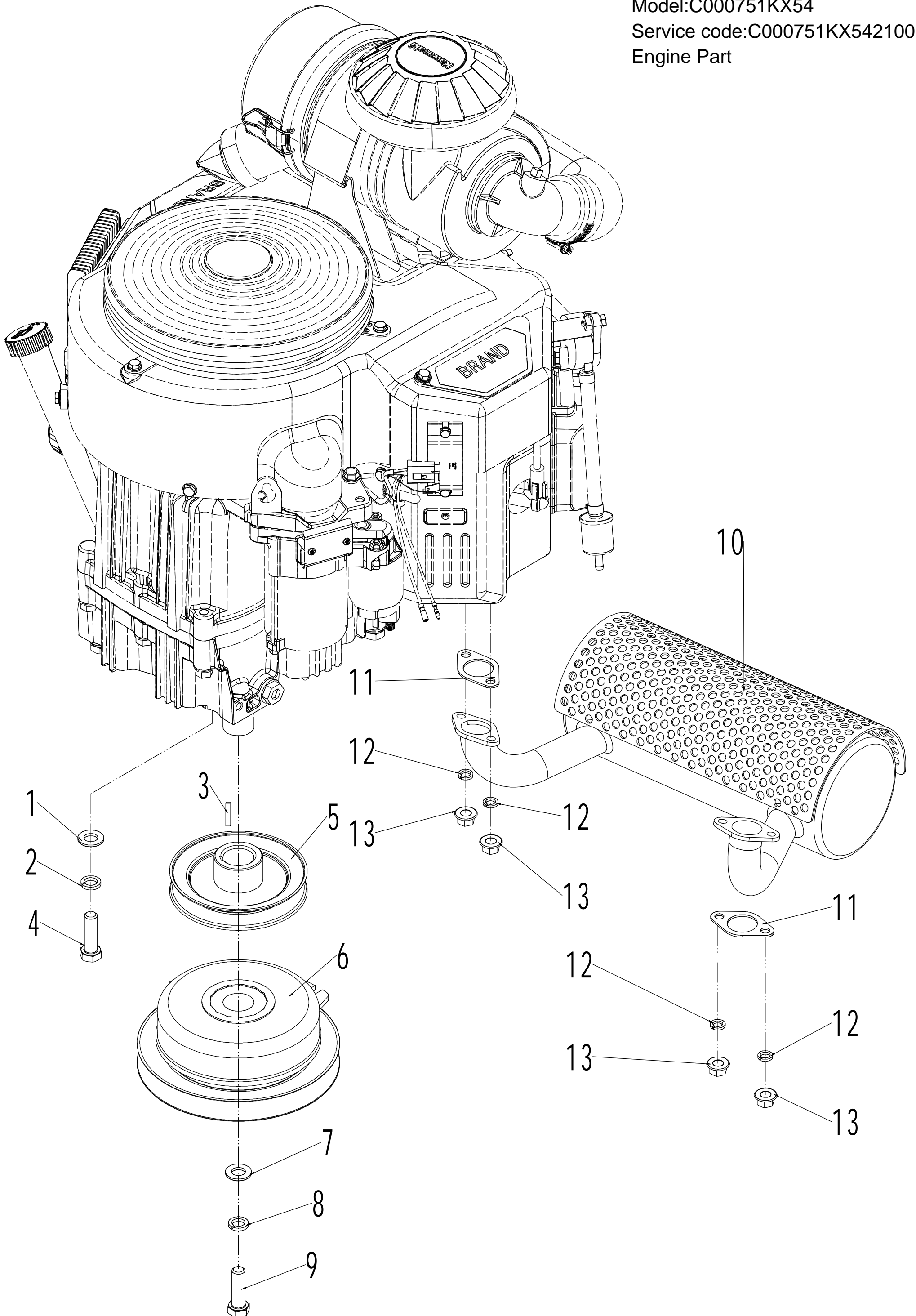
Model:C000751KX54  
Service code:C000751KX542100  
Oil Circuit



<b>Part 8 - Oil Circuit Part Spare Parts</b>		
<b>No.</b>	<b>ID Zboží</b>	<b>Název</b>
1	Z61E0100B2	Right oil tank
2	Z6171600B1/22	Control panel
3	0102006010	Bolt - M6×10
4	Z61E0300	Switch
5	Z61C0200	PTO Switch
6	Z61C0700	Screen
7	Z122241000	Throttle lever
8	0104005012	Screw - M5×12
9	Z122241001	Throttle lever
10	Z61E0600	Oil tank cover
11	0201005000	Nut - M5
12	Z6172000/22	Relay bracket
13	Z61E0900	Sealing gasket of oil level sensor
14	Z61E0800	Oil level sensor
15	Z6170900/02	Washer
16	Z6171000/02	Pressing cover
17	Z6172300	Right Cover
18	Z61E1300	Filter of input pipe
19	Z61E1400	Input pipe
20	Z6172200	Sealing ring
21	Z61E1600	Oil inlet
22	Z61E2000	Pipe 10*6
23	FX850V	Engine
24	Z61E1700	Filter of air inlet
25	Z61E2500	One-way valve
26	Z61E1900	Four-way valve
27	Z61E2100	Pipe 9*4.5
28	Z61E2200	Pouring valve
29	Z6172300	Left Cover
30	Z61E2400B2	Left oil tank
31	0301008000	Washer 8×1.6
32	Z122537020/02	Spring
33	0101008020	Bolt - M8×20
34	Z6171700	Throttle cable



Model:C000751KX54  
Service code:C000751KX542100  
Engine Part

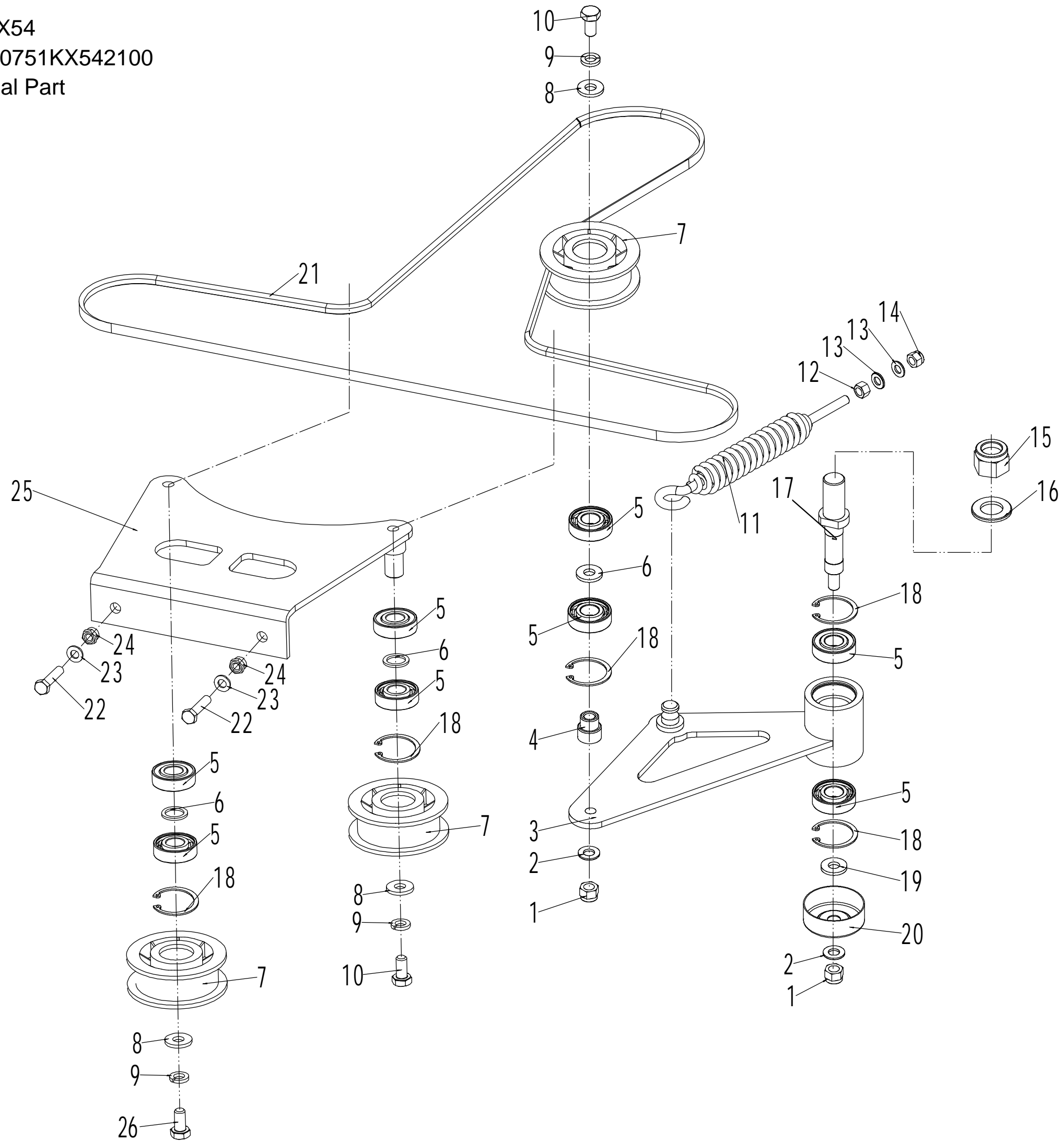


<b>Part 9 - Oil Circuit Part Spare Parts</b>		
<b>No.</b>	<b>ID Zboží</b>	<b>Název</b>
1	0301010000	Washer $\Phi$ 10
2	0401010000	spring washer $\Phi$ 10
3	Z61D0400	Key 6.25×6×36
4	Z61D0500	Bolt
5	Z6170600/02	Engine pulley
6	Z61DO100	Magnetic clutch
7	0301012000	Washer $\Phi$ 12
8	0401012000	spring washer $\Phi$ 12
9	0101012075/10P9	Bolt - M12×1.25×75
10	XYQZT850	Muffler
11	Z61D0300	Sealing gasket of muffler
12	0401008000	spring washer $\Phi$ 8
13	0201008000	Nut - M8

Model:C000751KX54

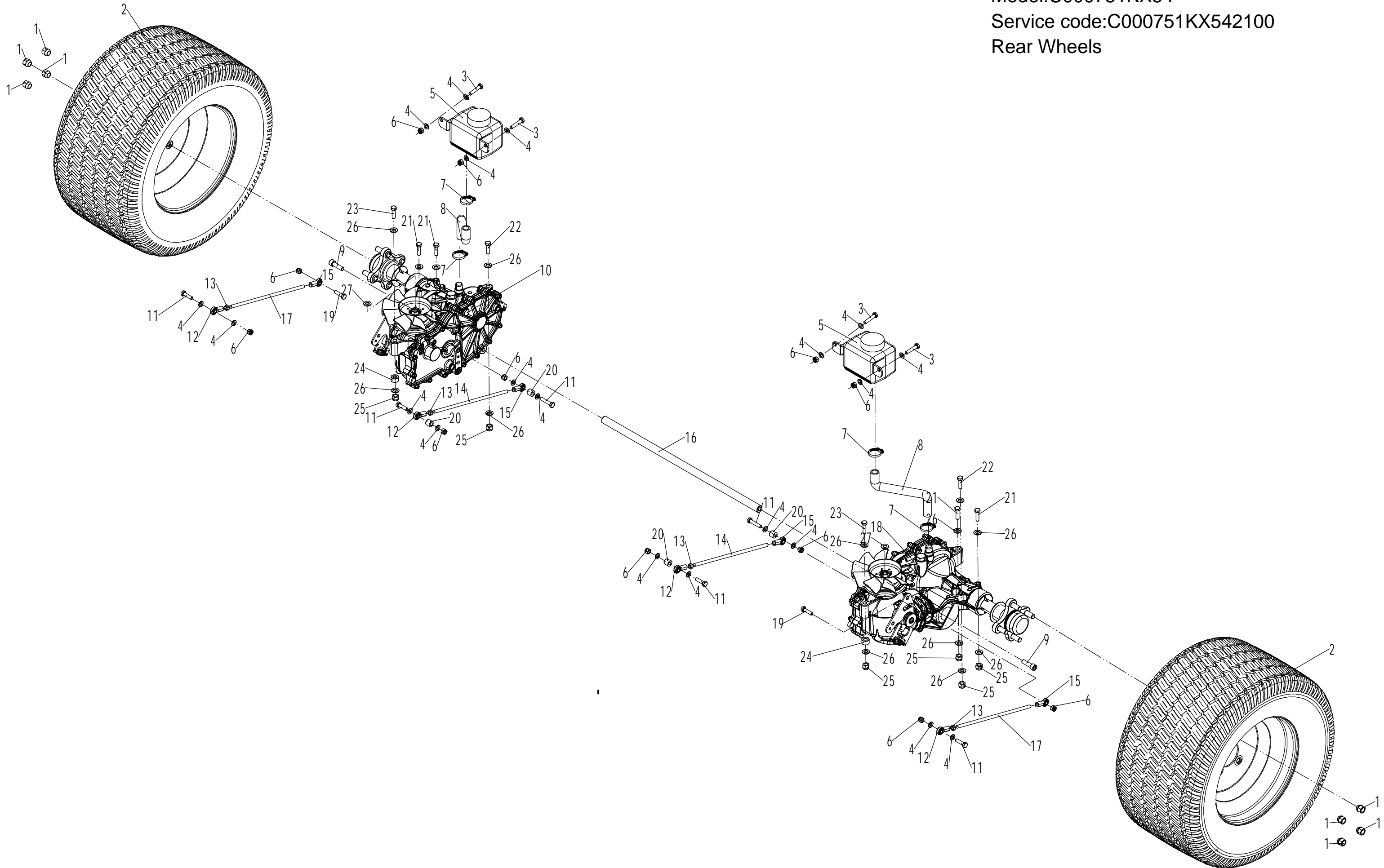
Service code:C000751KX542100

Oil Pump Tensional Part



<b>Part 10 - Oil Pump Tensional Part Spare Parts</b>		
<b>No.</b>	<b>ID Zboží</b>	<b>Název</b>
1	0206010000	Nut - M10
2	0301010000	Washer $\phi$ 10
3	Z61A1000/49	Tensional Bracket
4	CM010700010/02	Shaft bush
5	6203-2RS	Bearing
6	CM010700040/02	Partition
7	CM010700030/04	Tensional pulley
8	CM010700020/02	Washer
9	0403010000	Spring washer $\phi$ 10
10	0101010060	Bolt - M10*60
11	Z6120600/04	Spring
12	0201008000	Nut - M8
13	0301008000	Washer $\phi$ 8
14	0202008000	Nut - M8
15	0202016000	Nut - M16
16	0301016000	Washer $\phi$ 16
17	Z61A1300/04	Shaft
18	0901040000	Check ring $\phi$ 40
19	Z61A1100	Gasket
20	Z122303010/02	Pulley bush
21	Z61A1400	Belt
22	0101010030	Bolt - M10*30
23	0301010000	Washer $\phi$ 10
24	0202010000	Lock Nut - M10
25	Z153A0100/44	Deflecting wheel Bracket
26	0101010070	Bolt - M10x70

Model:C000751KX54  
Service code:C000751KX542100  
Rear Wheels

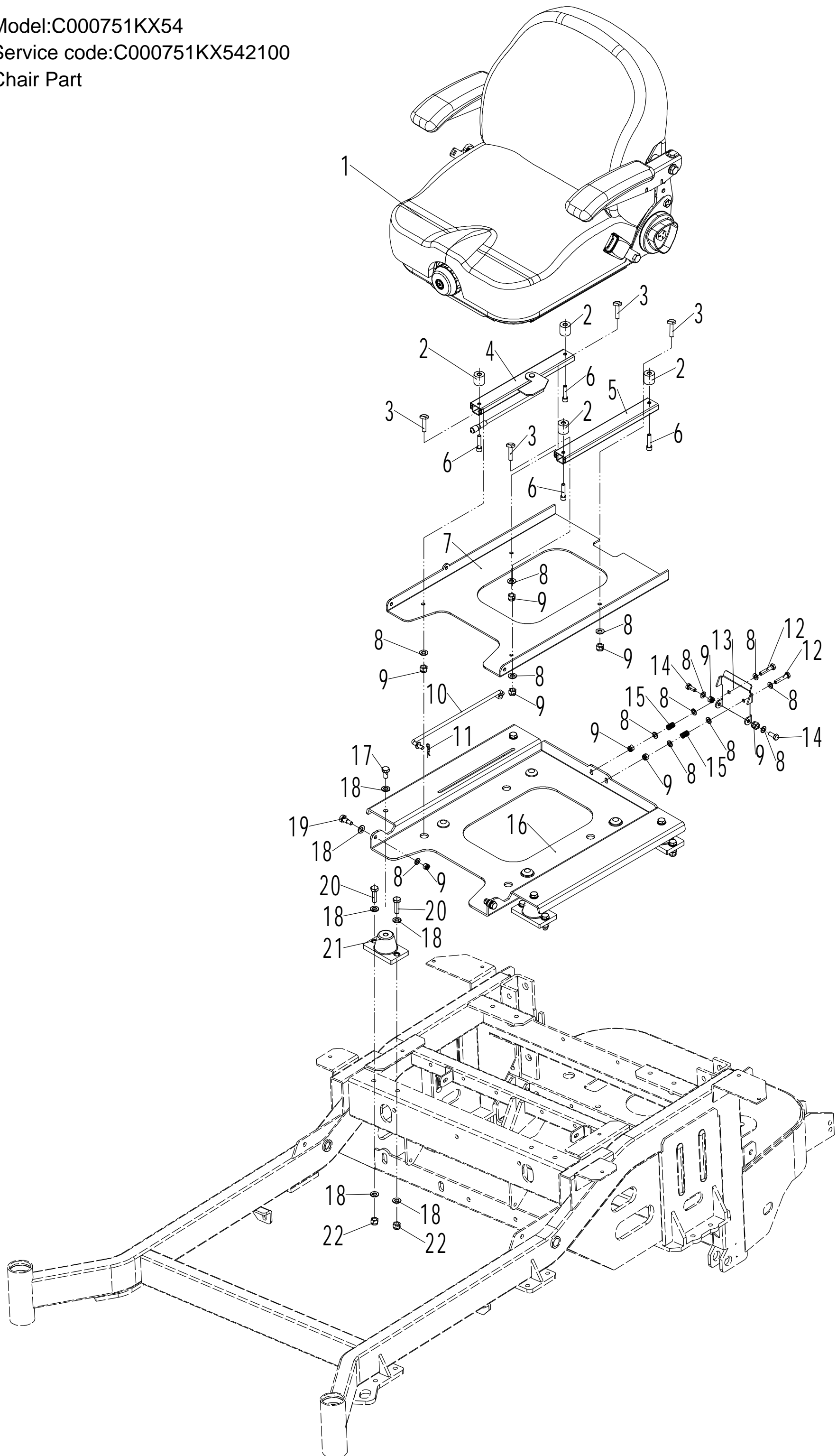


<b>Part 11 - Rear Wheels Part Spare Parts</b>		
<b>No.</b>	<b>ID Zboží</b>	<b>Název</b>
1	0215020000	Nut
2	Z54LZ3400	Rear wheel
3	0101108065	Bolt - M8×65
4	0301008000	Washer φ8
5	YH71938	Oil tank
6	0202008000	Nut - M8
7	Z122411011	Circlip
8	Z5471500	Pipe
9	0101010055	Bolt - M10x55
10	YZT3400R	Right transmission
11	0101108040	Bolt - M8×40
12	SI12-TK	Bearing
13	0201008000	Nut - M8
14	Z15360200/02	Connecting rod of brake
15	SIL12-TK	Bearing
16	Z15380100/22	Back supporting rod
17	Z15351300/02	Connecting rod of transmission
18	YZT3400L	Left transmission
19	Z6151500/02	Bolt
20	Z15330102/02	Bush
21	0101010080	Bolt - M10x80
22	0101010060	Bolt - M10x60
23	0101010070	Bolt - M10x70
24	Z15330101/02	Bush
25	0202010000	Lock Nut - M10
26	0301010000	Flat Washer - φ10
27	Z5450100/02	Washer of fan

Model:C000751KX54

Service code:C000751KX542100

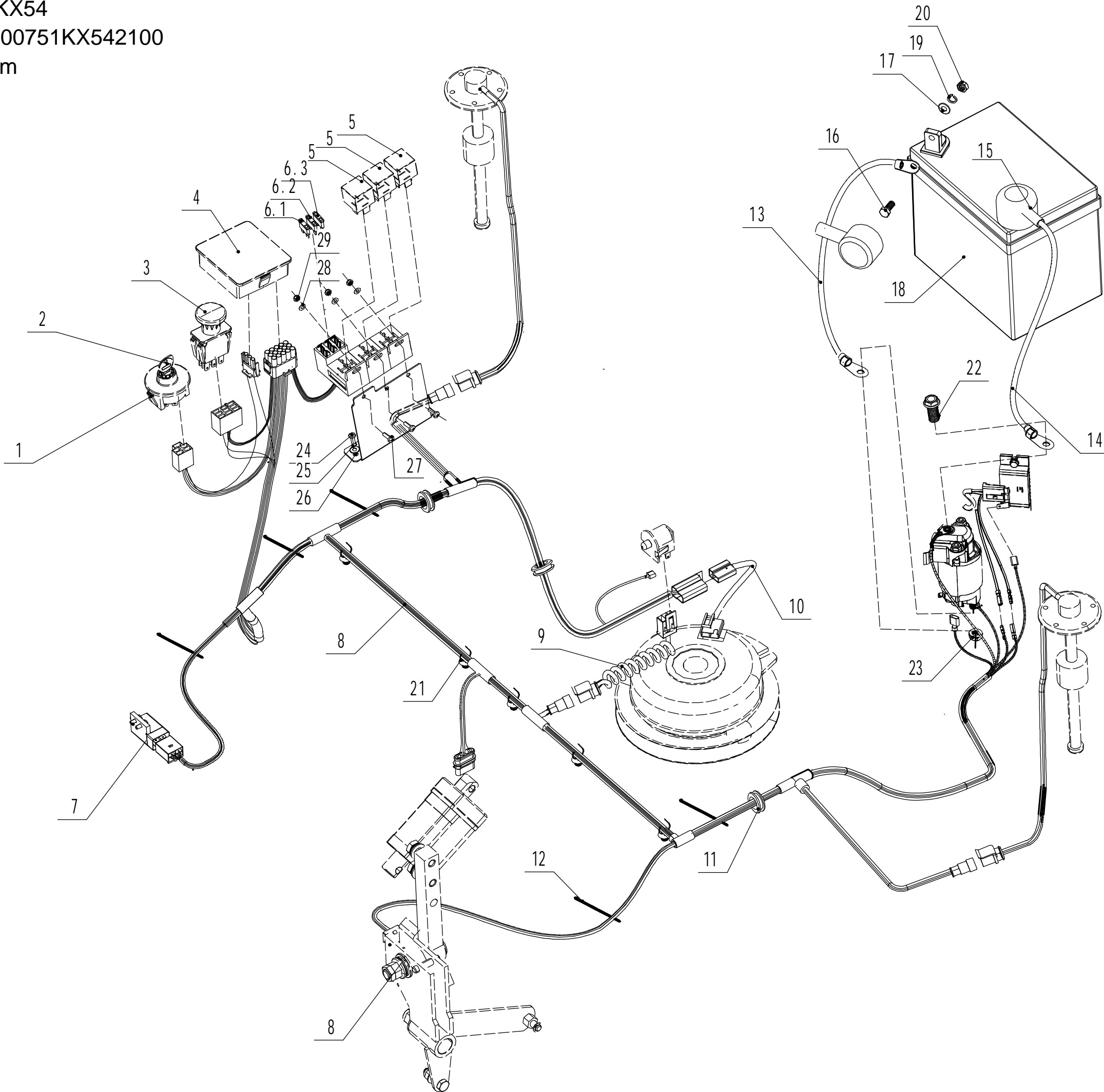
Chair Part



<b>Part 12 - Chair Part Spare Parts</b>		
<b>No.</b>	<b>ID Zboží</b>	<b>Název</b>
1	Z122240011	Chair
2	Z61B0800/02	Partition
3	0117008020	Bolt - M8×20
4	Z61B0400	Right rail
5	Z61B0400	Left rail
6	Z61B1200	Bolt
7	Z61B0100/22	Install plate
8	0301008000	Flat Washer - φ8
9	0202008000	Lock Nut - M8
10	Z61B0200/02	Pull arm
11	Z61B1300	Pin
12	0101008040	Bolt - M8×40
13	Z61B0500/22	Locking plate
14	0101008020	Bolt - M8×20
15	Z61B0600/02	Pressing spring
16	Z61B0300/22	Chair Base
17	0101010025	Bolt - M10×25
18	0301010000	Flat Washer - φ10
19	Z61B0700/02	Connecting bolt
20	0103010030	Screw - M10×30
21	Z61B1100	Chair damper
22	0202010000	Lock Nut - M10



Model:C000751KX54  
Service code:C000751KX542100  
Electrical Diagram



<b>Part 13 - Electrical Diagram Spare Parts</b>		
<b>No.</b>	<b>ID Zboží</b>	<b>Název</b>
1	Z61E0300	Switch
2	Z61C0100	Key
3	Z61C0200	PTO Switch
4	Z61C0700	Screen
5	Z61C1600	Relay 12V 40A
6.1	BXS025A	Fuse, 25A
6.2	BXS020A	Fuse, 20A
6.3	BXS010A	Fuse, 10A
7	Z61C0300	Switch
8	Z61C1100	Wire assembly
9	Z61C0400	Spring cable
10	Z61C1200	Magnetic clutch cable
11	Z61C0800	Rubber ring
12	ZD8/200	Cable tie - 8*200
13	Z61C1400	Positive pole wire
14	Z61C1500	Negetive pole wire
15	Z61C0900	Bush
16	B10106016	Bolt - M6×16
17	B40106000	Washer - φ6
18	DC12036	Battery 12V
19	B41106000	Spring washer - φ6
20	B30106000	Nut - M6
21	Z61C1000	Cable tie
22	0102008016	Bolt - M8×16
23	0204008000	Nut - M8
24	0104006012	Bolt - M6×12
25	0301006000	Spring washer - φ6
26	0401006000	Washer - φ6
27	0104004010	Bolt - M4×10
28	0301004000	Nut - M4
29	0201004000	Washer - φ4