

ZCS Tech Line 8 Series

MD-CO-RO-22 - Rev. 3.1 -01/01/2020 - ZCS Tech Line 8 Series

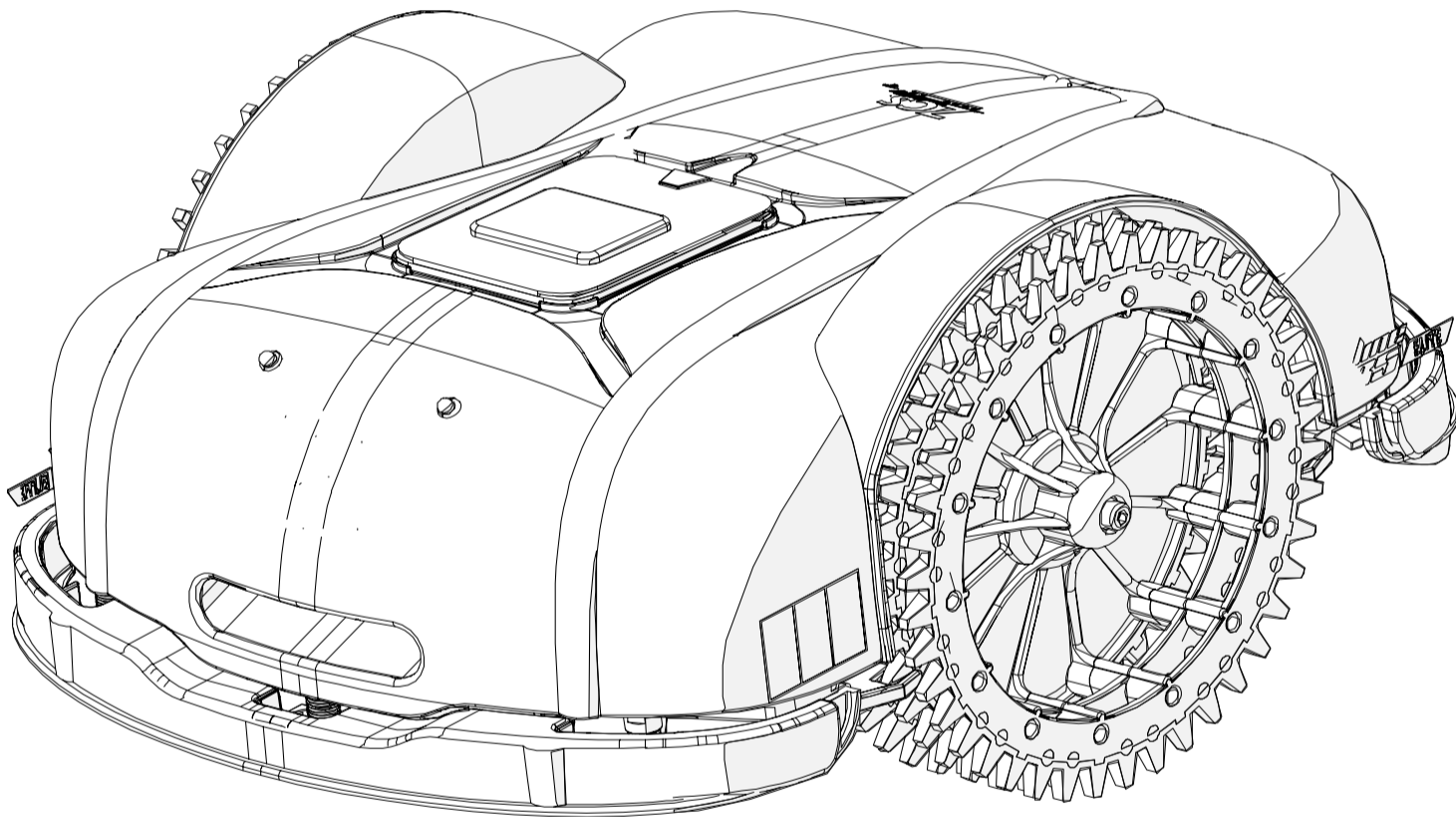
Spare Parts Catalogue

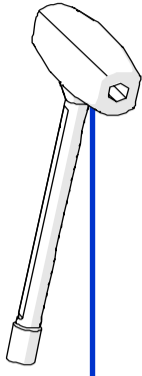
Previous Revision	3.0
Current Revision	3.1
From	2020-01

Models Type Included

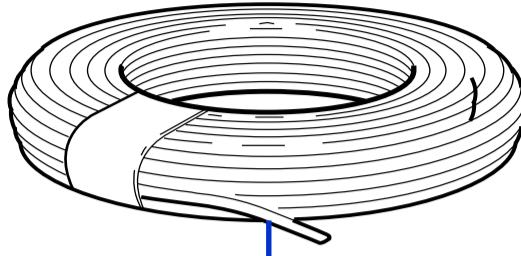
7085EL0

Tech Line L8





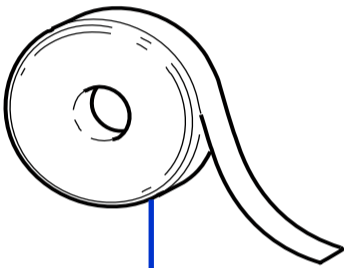
1



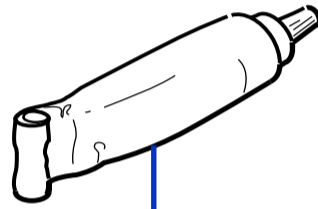
2



3



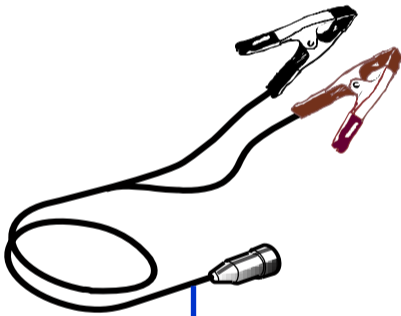
4



5



6



7



8



9

Tav. **01**
 Tab. **0**
 Taf.

Rif.	Code	Qt.in Robot		(IT) Descrizione * (GB) Description
1	075_D005	1		Chiave - Screwdriver
2	CS_E0002OS	0-1	MT 100	Cavo - Cable
2	CS_E0002	0-1	MT 150	Cavo - Cable
2	CS_E0002_3	0	MT 300	Cavo - Cable
2	CS_E0002_5	0	MT 500	Cavo - Cable
2	CS_E0002_10	0	MT 1000	Cavo - Cable

Consegna in 60 giorni dall'ordine - Delivery Time 60 days from order date

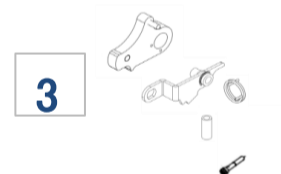
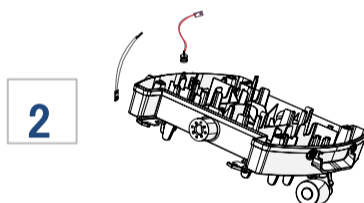
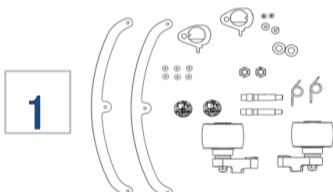
3	200A00100A	0-1	(100 Pz)	Conf. Chiodi - Nails Bag
3	200A00200A	0-1	(200 Pz)	Conf. Chiodi - Nails Bag
4	CS_C0111	0		Nastro Agglomerante - Stretch Electrical Tape
5	CS_C0109	0	200 Gr	Grasso - Grease
6	AMBCAPROG	0		Programming Cable - Cavo Programmazione
7	CB01RICINV3	0		Kit Ricarica Invernale - Kit for Winter Garaging
8	CS_GSM-GPRS	0	Only Line L8	Kit - Scheda GSM - GSM Board kit
9	200A00003	1		(3pcs) - Connettore - Connector
9	200A00001	0		(10pcs) - Connettore - Connector
9	200A00050	0		(50pcs) - Connettore - Connector

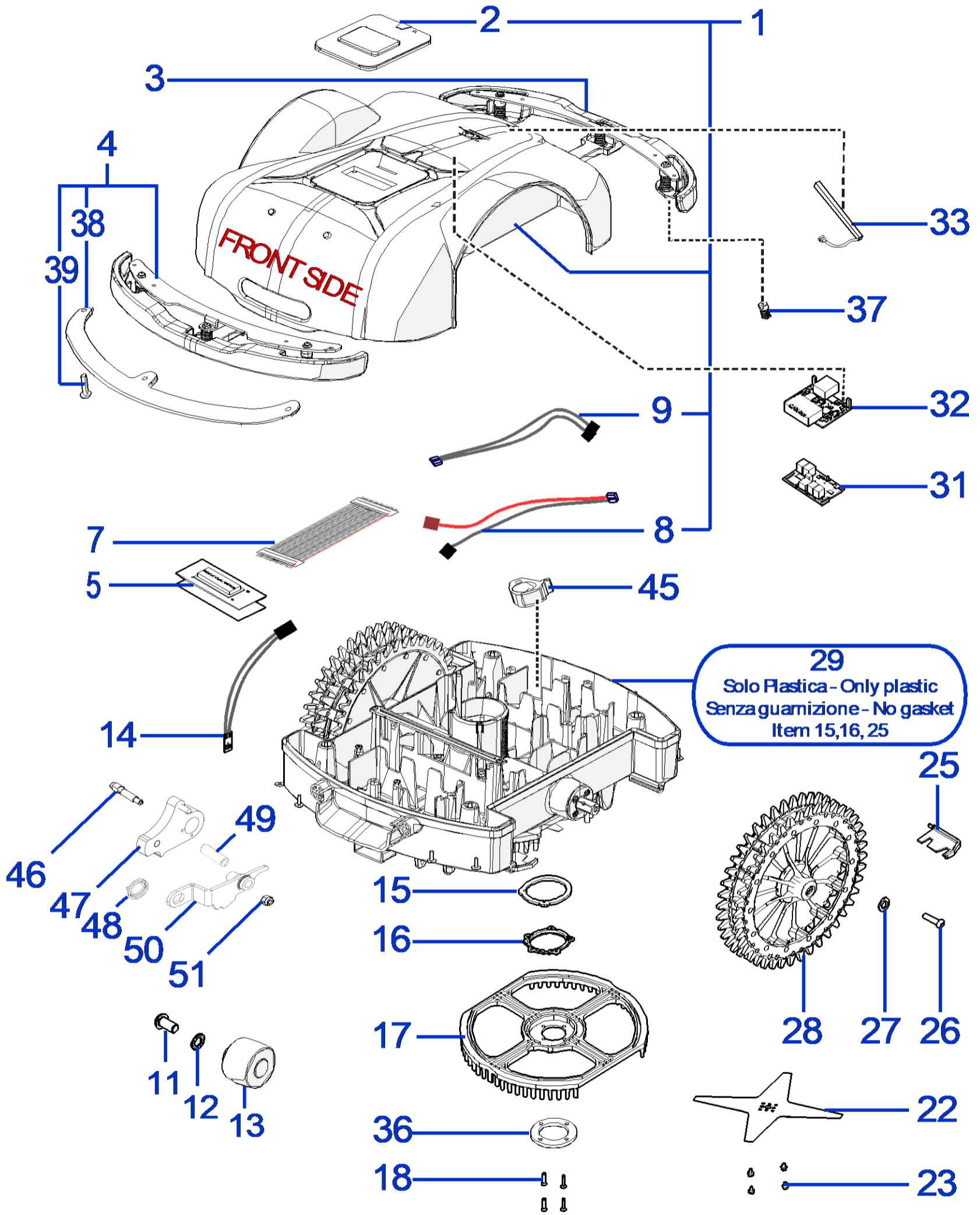
**Kit rilavorazione
Reworking kit**

Code

(IT) Descrizione * (GB) Description

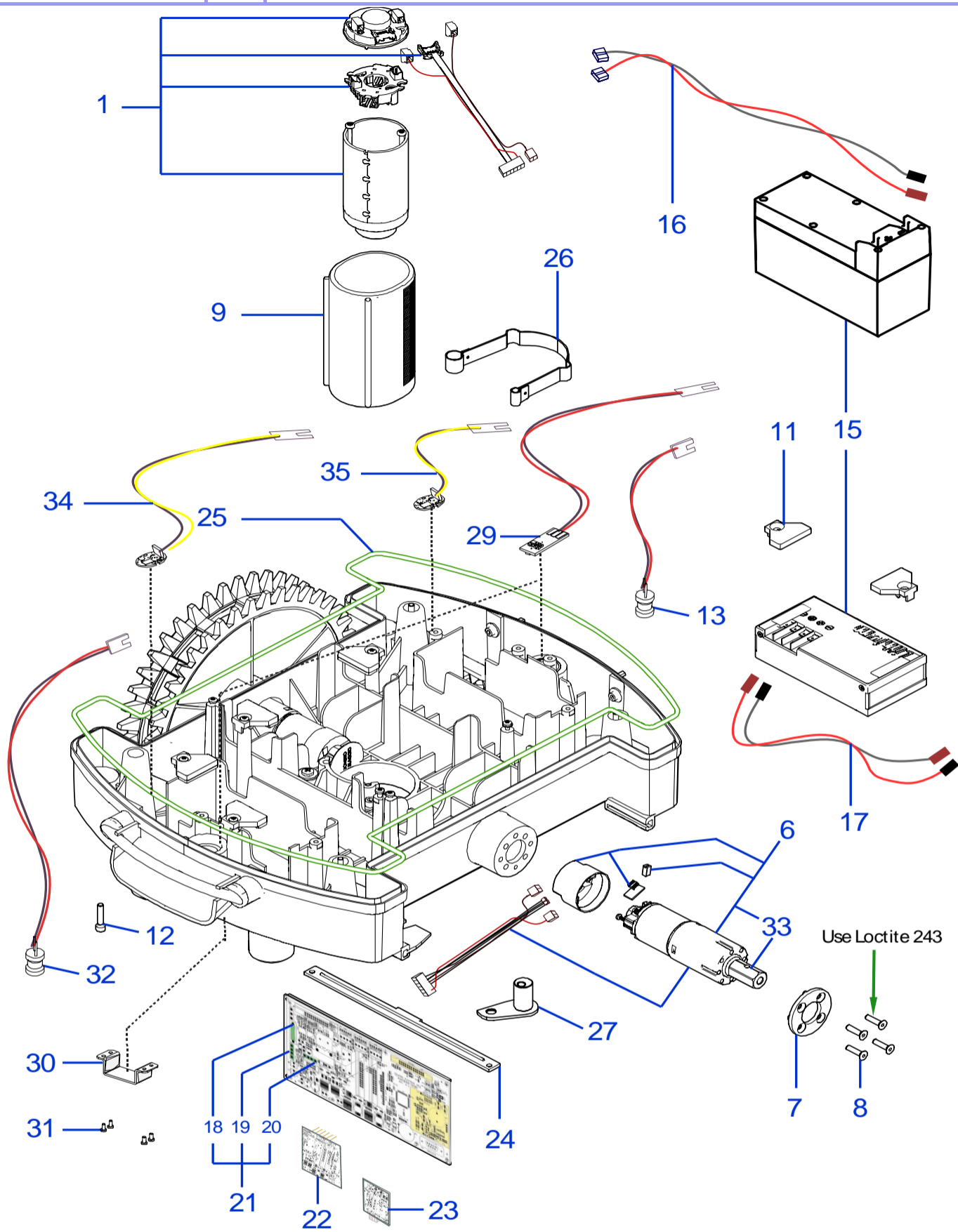
1	075Z34300A			Aggiornamento V17->V18 - Upgrade Kit V17->V18
2	075Z34400A			Aggiornamento <=V16 a V18 - Upgrade Kit <=V16 to V18
3	085D000008			Kit L85 v18 -> v19 - Kit L85 v18 -> v19





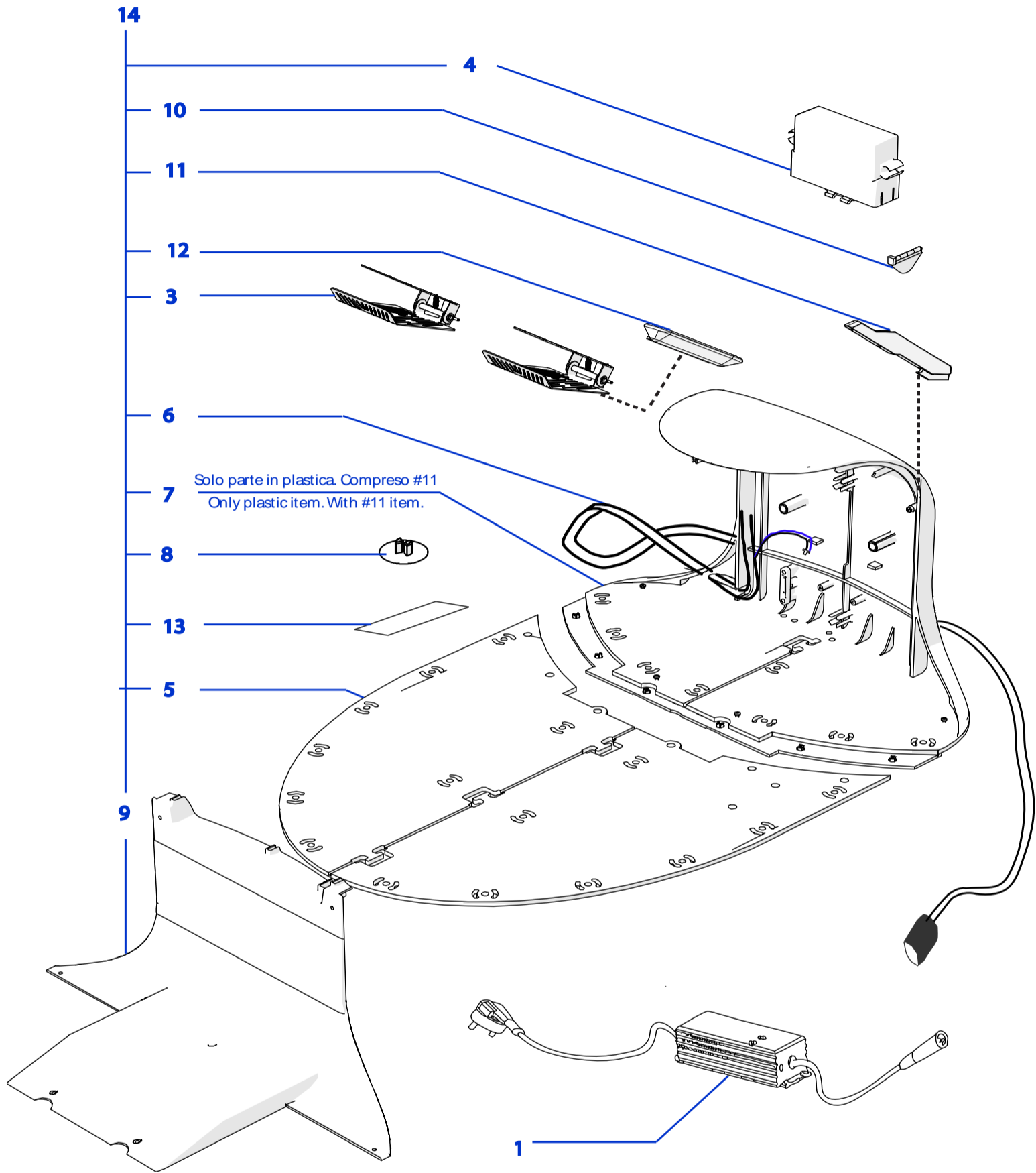
Tav.	02	0	
Tab.			
Taf.			

Rif.	Code	Qt.in Robot		(IT) Descrizione * (GB) Description		
1	085A170015R	1	L8	Gruppo Calotta - Cap Set		
2	075Z19200A	1		Tastiera - Keyboard		
3	075Z30600AB	1		Paraurti - Bumper		
4	075Z30200AB	1		Paraurti - Bumper		
5	300E01200A	1		Display - Display		
7	CB01_DI6	1		CPU-Display - Cabling CPU-Display		
8	CB07_L75	1		Cavo Ricarica - Recharge Cabling		
9	CB02_L75	1		Cavo Sensore Pioggia - Rain sensor Cabling		
11	C00554	2		Vite - Screw		
12	C02319	2		Rosetta conica - Cone-shaped washer		
13	075Z03700A	2		Ruota Anteriore - Front Wheel		
14	075E00800A	2		Scheda Sollevamento - Lift Sensor		
15	075Z16000A	1		Guarnizione - Gasket		
16	075Z13600A	1		Piastra - Plate		
17	075Z07600A	1		Campana - Bell		
18	C00252	4	M5x20	Vite - Screw		
22	CS_D0155	0	4KF Ø22 Cm	Lama piana a 4 Punte - 4 knives flate blade		
22	075Z07800A	0-1	4KF Ø25 Cm	Lama piana a 4 Punte - 4 knives flate blade		
22	CS_D0112_02	0-1	4KF Ø29 Cm	Lama piana a 4 Punte - 4 knives flate blade		
23	C00212	1	M4x8	Vite - Screw		
25	075Z10700A	2		(Toothed Wheel) Pulisci ruota - Wheel Cleaning		
25	075Z19600A	2		(Wheel tire) Pulisci ruota - Wheel Cleaning		
26	C01518	2	M8x12	Vite - Screw		
27	C01265	2		Rondella - Washer		
28	075Z02000A	2		Ruota Dentata 2 denti - Toothed Wheel 2 teeth		
28	075Z10400A	2		Ruota Dentata 3 denti - Toothed Wheel 3 teeth		
28	075Z19500A	2		Ruota con copertone - Wheel with tire		
29	075Z31800A	1	(Toothed tire)	Scocca (Solo Plastica) - Body (Only Plastic)		
29	075Z32300A	1	(Wheel tire)	Scocca (Solo Plastica) - Body (Only Plastic)		
31	400E02200A	1		Scheda GSM - GSM Board		
32	400E02400A	1		Esp.Seriale - Serial Exp.		
33	CS_ANT_GSM	1		Antenna - Antenna		
36	400Z07500A	1		Supporto - Support		
37	075Z29900A	4		Molla laterale - Lateral spring		
37	075Z30100A	2		Molla centrale - Middle spring		
38	075Z33300A	2		Piastra - Plate		
39	C00229	6		Vite - Screw		
45	075Z33900A	1	Front	Supporto Enc.Mag. - Enc.Mag. Support		
45	075Z34000A	1	Back	Supporto Enc.Mag. - Enc.Mag. Support		
46	C01770	2		Perno - Pivot		
47	075Z37001A	1	Front	Supporto scheda - Board support		
47	075Z37000A	1	Back	Supporto scheda - Board support		
48	075Z36901A	1	Front	Molla - Spring		
48	075Z36900A	1	Back	Molla - Spring		
49	075Z36800A	2		Distanziale - Spacer		
50	075Z36501A	1	Front	Staffa metallo - Metal shaft		
50	075Z36500A	1	Back	Staffa metallo - Metal shaft		
51	C01464	2		Dado - Bolt		



Tav.	03	0	
Tab.			
Taf.			

Rif.	Code	Qt.in Robot		(IT) Descrizione * (GB) Description		
1	CS_C0009/212	1	Brushless Robot	(Brushless) - Motore di Taglio - Group Cutting Motor		
6	075Z11000A	2	Brushless Robot	(Brushless) - Motoriduttore - Motor Reducer		
7	075Z06900A	2		Supporto Ruota - Wheel support		
8	C01317	8		Vite - Screw		
9	075Z04500A	1		Supporto Motore - Motor support		
11	110Z12900A	2		Fissaggio Batteria - Battery Clamp		
12	C00067	4	M5X25	Vite - Screw		
13	110E00700A	1		Bobina - Coil		
15	075Z01300A	1-2	Lithium (25.9V 2.5A)	(Type B) - Batteria - Battery		
15	CS_C0106/1	1	Lithium (25.9V 7.5A)	(Type B) - Batteria - Battery		
16	CB03_HR75	1		CPU-batteria - Cabling CPU-Battery		
17	CB04_L75	0-1		batteria-batteria - Cabling Battery-Battery		
18	A210517	1	F4 - 250V 500/630mAD	Fusibile - Fuse - (500 Ceramic 630 Glass)		
19	A210543	1	F3 - 32V 30A	Fusibile - Fuse		
20	A210540	1	F1 - 32V 1A	Fusibile - Fuse		
21	AM2000-13B-SP	1	Brushless	Scheda Madre - Mother Board (Brushless)		
22	050E00500A	1		(RX-C1) Ricevitore - Receiver		
23	051E01000A	1	(IOS + Android)	Ricevitore Bluetooth - Bluetooth Receiver		
24	200Z03000A	1		Bloccascheda - Board block		
25	075Z09400A	1		Guarnizione - Gasket		
26	075Z08700A	1		Piastra Elastica - Elastic plate		
27	075Z07200A	1		Piastra fissaggio - Fixing plate		
29	075E00500A	1	40cm	Scheda Urto - Bump sensor		
29	075E00700A	1	65cm	Scheda Urto - Bump sensor		
30	075Z32800B	2		Staffa - Support		
31	C01023	8		Vite - Screw		
32	110A00100A	1		Bobina - Coil		
33	075Z10900A	2	Brushless	Esagono - Hexagon		
34	075E00900A	1		Cablaggio Enc.Mag. - Wire		
35	075E01000A	1		Cablaggio Enc.Mag. - Wire		



Tav. **04**
Tab. **0**
Taf.

Rif.	Code	Qt.in Robot		(IT) Descrizione * (GB) Description		
1	ELG-150-30	1	L8	(5A) Caricabatteria - Battery Charger		
3	300Z11400A	2		Piastra di Ricarica - Recharging Plate		
4	051Z32500A	1		(TX-C1) Trasmettitore - Transmitter		
5	075Z06500A	1		Base - Base		
6	CB01_85S2	1		Cavo alimentazione ricarica - Recharging supply cable		
7	075Z31400A	1		Supporto Piastre - Plate support		
8	C01559	12		Clips - Clips		
9	075Z06400A	1		Coperchio - Cap		
10	075Z06700A	1		Gomma - Rubber		
11	075Z31300A	4		Distanziale - Spacer		
12	030Z16700A	1		Protezione - Protection		
13	075Z34500A	2		Adesivo - Stiker		
14	075Z31600A	1		Base Completa - Complete Base		