

# PARTS LIST

## HEDGE TRIMMERS

**HTZ7500**  
**CHTZ6000**  
**CHTZ7500**

**NOTE :**

1. Use KOMATSU ZENOAH genuine parts specified in the parts list for repair and/or replacement.
2. KOMATSU ZENOAH does not warrant the machines, those which have been damaged by the use of any parts other than those specified by the company.
3. When placing orders of parts for repair and/or replacement, check if the model name and the serial number are suitable to those specified in the parts list, then use parts number described in the parts list.
4. The contents described in the parts list may change due to improvement.
5. The parts for the machine shall be supplied within ten (10) years after the machine is discontinued.  
[It is possible that some specific parts may be subject to change of their delivery term and list price within the limit of ten (10) years after the machine is discontinued. And it is also possible that some parts may be available even after the limit of ten (10) years.]

Fig.1 CUTTING UNIT

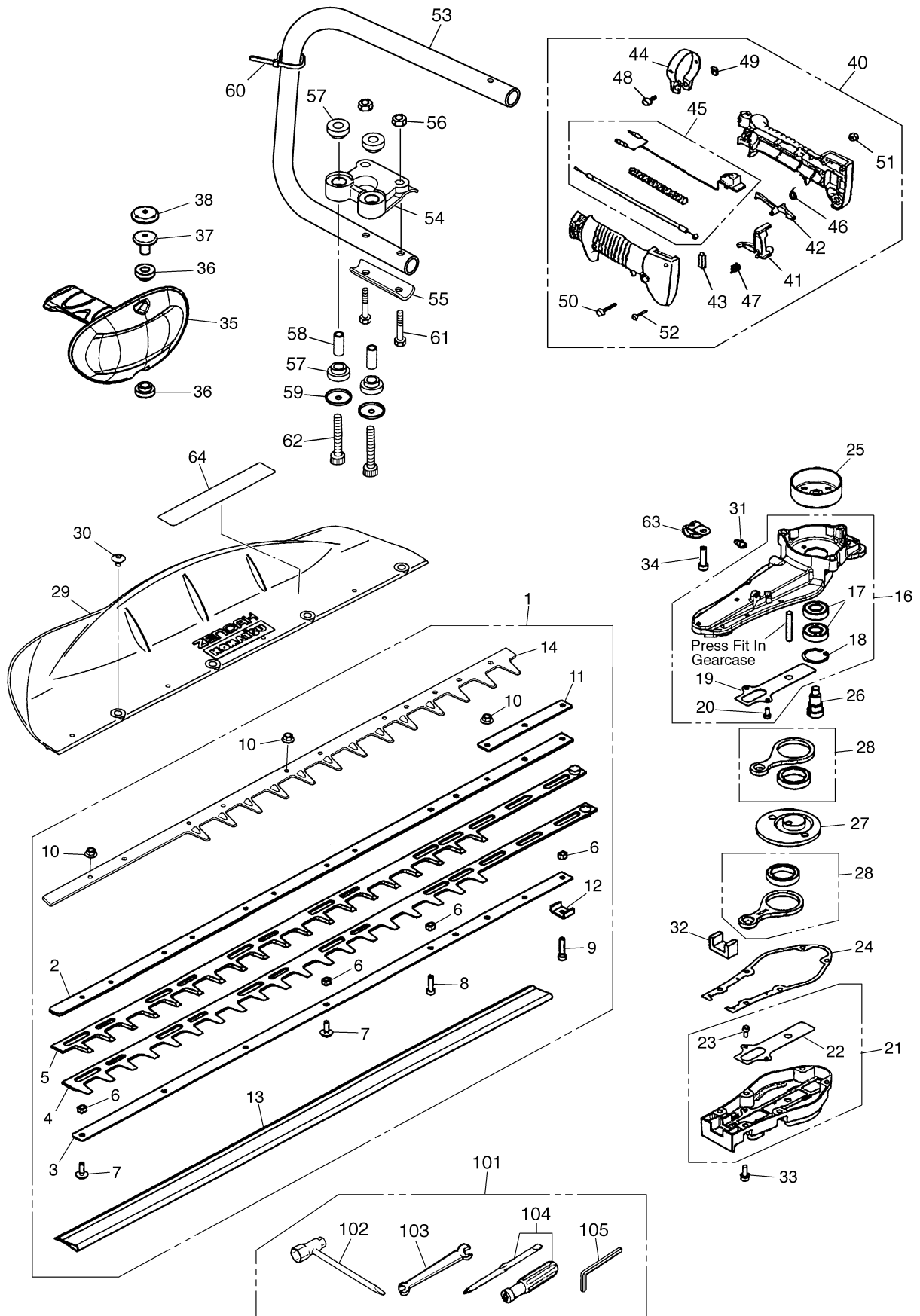
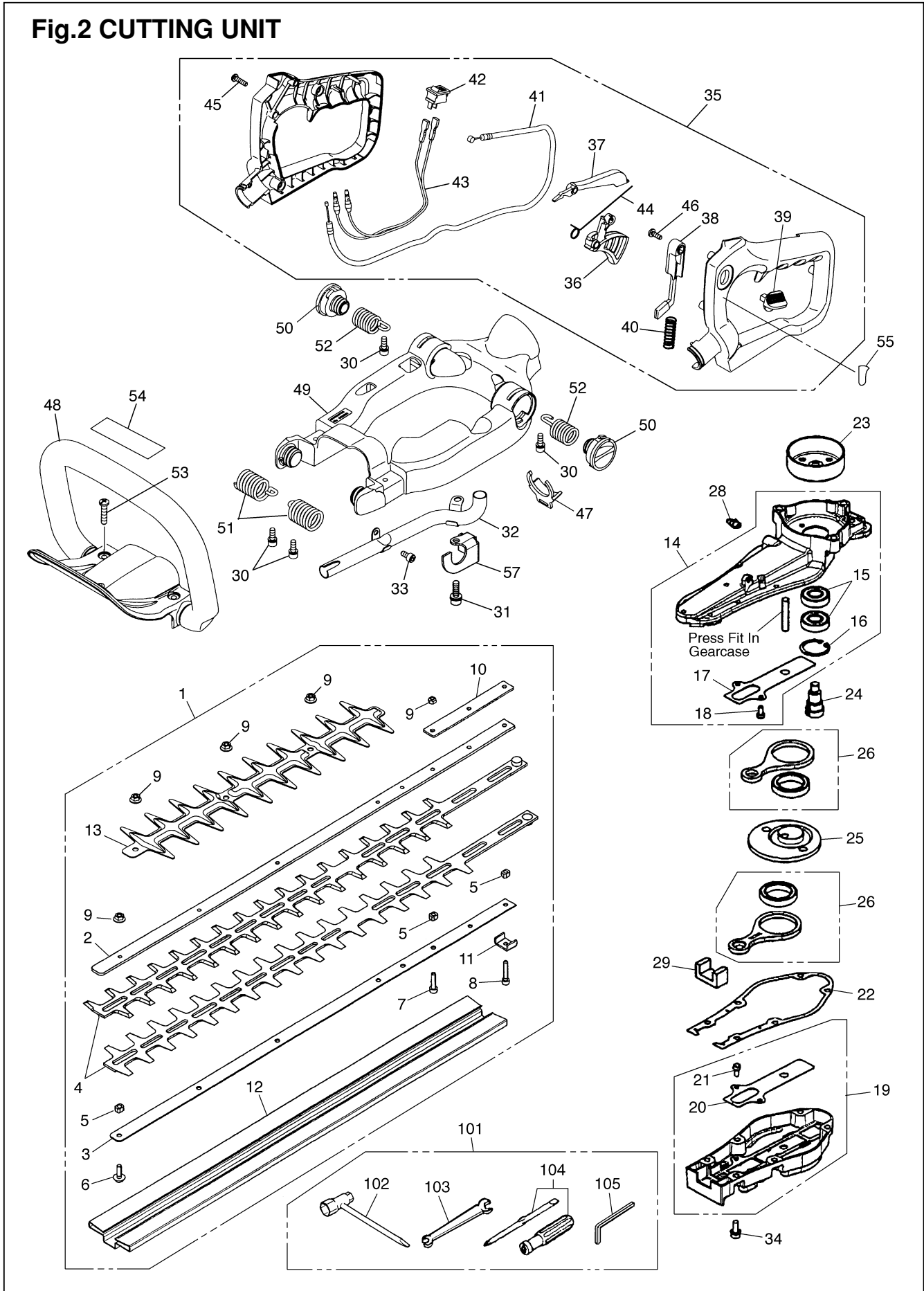


Fig.1 CUTTING UNIT

Key#	PART NUMBER	DESCRIPTION	Q'TY /UNIT	NOTE	Key#	PART NUMBER	DESCRIPTION	Q'TY /UNIT	NOTE
1	848D3J6500	BLADE ASSY	1		51	1638-84210	• NUT	1	
2	T4543-11110	• PLATE, upper	1		52	1638-84220	• SCREW	1	
3	T4543-11120	• PLATE, lower	1		53	T4519-32410	PIPE	1	
4	848D3065A0	• BLADE, lower	1		54	T4519-32510	MOUNT	1	
5	848D3065B0	• BLADE, upper	1		55	T4519-32520	PLATE	1	
6	T4521-11311	• SPACER	9		56	0280-10504	NUT	2	
7	T4520-11331	• SCREW	4		57	T4503-31210	ABSORBER	4	
8	01252-30520	• BOLT	4		58	T4519-32220	COLLAR	2	
9	01252-30525	• BOLT	1		59	T4503-32230	WASHER	2	
10	T4531-11350	• NUT	5		60	08034-20414	BAND	1	
11	T4543-11410	• PLATE	1		61	01252-30530	BOLT	2	
12	848D3066E1	• BRACKET	1		62	3540-13260	BOLT	2	
13	T4543-11230	• COVER	1		63	1565-72311	CLAMP	1	
14	848D3J66G0	• GUARD	1		64	848D3J90S0	LABEL	1	
16	848D306111	GEARCASE COMP. upper	1		101	8488U00010	TOOL SET	1	
17	06004-06001	• BEARING	2		102	T4017-91130	• SOCKET	1	
18	04065-02812	• RING	1		103	3540-91120	• SPANNER	1	
19	848D3061B0	• PLATE	1		104	1030-91340	• DRIVER	1	
20	T4543-42320	• BOLT	2		105	09007-00425	• WRENCH	1	
21	848D306121	GEARCASE COMP. botom	1						
22	848D3061B0	• PLATE	1						
23	T4543-42320	• BOLT	2						
24	T4543-21220	GASKET	1						
25	848D305111	DRUM	1						
26	848D3062A0	GEAR, drive	1						
27	T4543-42210	GEAR, driven	1						
28	T4543-42100	ROD ASSY	2						
29	T4503-12114	PLATE	1						
30	T4521-11330	BOLT, blade	4						
31	3199-13350	FITTING	1						
32	T4543-42410	FELT	1						
33	3350-15250	BOLT	6						
34	01252-30625	BOLT	3						
35	T4503-31101	HANDLE-R COMP.	1						
36	848D3G32L0	SPACER	4						
37	T4503-31220	HOLDER	2						
38	T4503-31230	CAP	2						
40	T4519-32100	LEVER-ASSY	1						
41	1638-84130	• LEVER	1						
42	1638-84140	• LEVER	1						
43	6844-84150	• TOP	1						
44	1638-84160	• CLAMP	1						
45	T4519-13300	• CABLE COMP.	1						
46	1638-84170	• SPRING	1						
47	1638-84180	• SPRING	1						
48	0263-60620	• SCREW	1						
49	1638-84190	• NUT	1						
50	0260-60535	• SCREW	1						

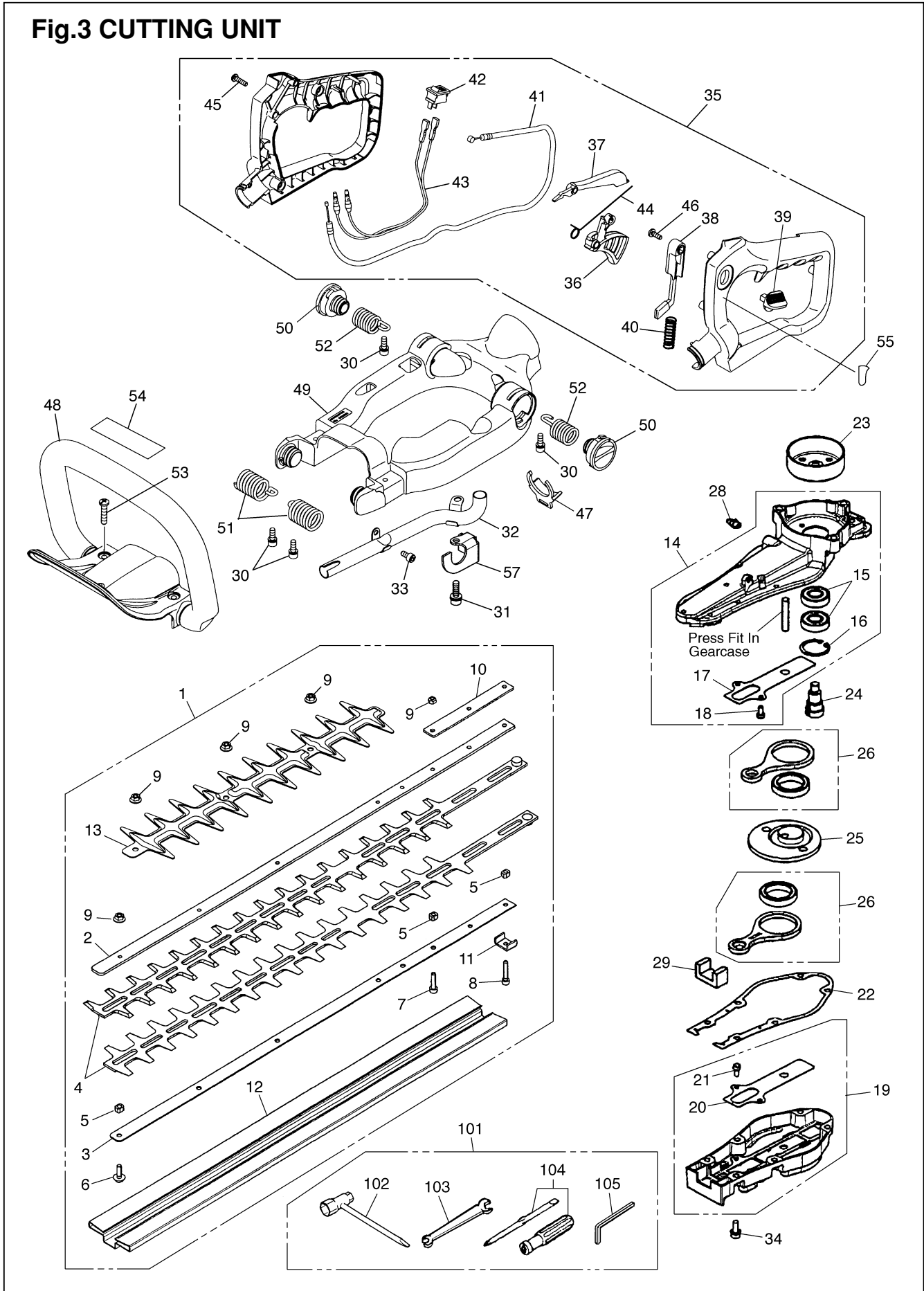
Fig.2 CUTTING UNIT



**Fig.2 CUTTING UNIT**

Key#	PART NUMBER	DESCRIPTION	Q'TY /UNIT	NOTE	Key#	PART NUMBER	DESCRIPTION	Q'TY /UNIT	NOTE
1	848D4C6500	BLADE ASSY	1		51	848D4A37A0	SPRING, front	2	
2	T4544-11110	• PLATE, upper	1		52	848D4A37B0	SPRING, rear	2	
3	T4544-11120	• PLATE, lower	1		53	2630-32610	SCREW	2	
4	848D3165A0	• BLADE	2		54	848D4C90S0	LABEL, caution	1	
5	T4521-11311	• SPACER	8		55	T4535-12250	LABEL	1	
6	T4520-11331	• SCREW	5		57	848D4A63A0	BRACKET	1	
7	01252-30520	• BOLT	2		101	8488U00010	TOOL SET	1	
8	01252-30525	• BOLT	1		102	T4017-91130	• SOCKET	1	
9	T4531-11350	• NUT	6		103	3540-91120	• SPANNER	1	
10	T4543-11410	• PLATE	1		104	1030-91340	• DRIVER	1	
11	848D3066E1	• BRACKET	1		105	09007-00425	• WRENCH	1	
12	T4544-11230	• COVER	1						
13	848D4C66G0	• BLADE GUARD	1						
14	848D306111	GEARCASE COMP. upper	1						
15	06004-06001	• BEARING	2						
16	04065-02812	• RING	1						
17	848D3061B0	• PLATE	1						
18	T4543-42320	• BOLT	2						
19	848D306121	GEARCASE COMP. botom	1						
20	848D3061B0	• PLATE	1						
21	T4543-42320	• BOLT	2						
22	T4543-21220	GASKET	1						
23	848D305111	DRUM	1						
24	848D3062A0	GEAR, drive	1						
25	T4543-42210	GEAR, driven	1						
26	T4543-42100	ROD ASSY	2						
28	3199-13350	FITTING	1						
29	T4543-42410	FELT	1						
30	3310-31720	BOLT	4						
31	01252-30625	BOLT	3						
32	848D3115E2	PIPE, exhaust	1						
33	01252-30510	BOLT	1						
34	3350-15250	BOLT	6						
35	848D4A3300	HANDLE REAR ASSY	1						
36	T4506-31210	• LEVER, throttle	1						
37	T4506-31310	• ARM	1						
38	T4506-31412	• LEVER, lock	1						
39	T4506-31420	• KNOB	1						
40	T4506-31430	• SPRING	1						
41	8488P00000	• CABLE COMP.	1						
42	T4506-52110	• SWITCH	1						
43	T4506-52120	• CODE COMP.	1						
44	3356-33321	• SPRING, throttle	1						
45	2630-31950	• SCREW	5						
46	2630-33610	• SCREW	1						
47	T4506-31511	STOPPER	1						
48	848D4A32A1	HANDLE FRONT	1						
49	T4506-41110	FRAME	1						
50	T4506-41220	HOLDER	2						

Fig.3 CUTTING UNIT



**Fig.3 CUTTING UNIT**

Key#	PART NUMBER	DESCRIPTION	Q'TY /UNIT	NOTE	Key#	PART NUMBER	DESCRIPTION	Q'TY /UNIT	NOTE
1	848D4E6500	BLADE ASSY	1		51	848D4A37A0	SPRING, front	2	
2	848D4B66A0	• PLATE, upper	1		52	848D4A37B0	SPRING, rear	2	
3	T4543-11120	• PLATE, lower	1		53	2630-32610	SCREW	2	
4	848D4B65A0	• BLADE	2		54	848D4E90S0	LABEL, caution	1	
5	T4521-11311	• SPACER	8		55	T4535-12250	LABEL	1	
6	T4520-11331	• SCREW	5		57	848D4A63A0	BRACKET	1	
7	01252-30520	• BOLT	2		101	8488U00010	TOOL SET	1	
8	01252-30525	• BOLT	1		102	T4017-91130	• SOCKET	1	
9	T4531-11350	• NUT	6		103	3540-91120	• SPANNER	1	
10	T4543-11410	• PLATE	1		104	1030-91340	• DRIVER	1	
11	848D3066E1	• BRACKET	1		105	09007-00425	• WRENCH	1	
12	848D4B68A0	• COVER	1						
13	848D4C66G0	• BLADE GUARD	1						
14	848D306111	GEARCASE COMP. upper	1						
15	06004-06001	• BEARING	2						
16	04065-02812	• RING	1						
17	848D3061B0	• PLATE	1						
18	T4543-42320	• BOLT	2						
19	848D306121	GEARCASE COMP. botom	1						
20	848D3061B0	• PLATE	1						
21	T4543-42320	• BOLT	2						
22	T4543-21220	GASKET	1						
23	848D305111	DRUM	1						
24	848D3062A0	GEAR, drive	1						
25	T4543-42210	GEAR, driven	1						
26	T4543-42100	ROD ASSY	2						
28	3199-13350	FITTING	1						
29	T4543-42410	FELT	1						
30	3310-31720	BOLT	4						
31	01252-30625	BOLT	3						
32	848D3115E2	PIPE, exhaust	1						
33	01252-30510	BOLT	1						
34	3350-15250	BOLT	6						
35	848D4A3300	HANDLE REAR ASSY	1						
36	T4506-31210	• LEVER, throttle	1						
37	T4506-31310	• ARM	1						
38	T4506-31412	• LEVER, lock	1						
39	T4506-31420	• KNOB	1						
40	T4506-31430	• SPRING	1						
41	8488P00000	• CABLE COMP.	1						
42	T4506-52110	• SWITCH	1						
43	T4506-52120	• CODE COMP.	1						
44	3356-33321	• SPRING, throttle	1						
45	2630-31950	• SCREW	5						
46	2630-33610	• SCREW	1						
47	T4506-31511	STOPPER	1						
48	848D4A32A1	HANDLE FRONT	1						
49	T4506-41110	FRAME	1						
50	T4506-41220	HOLDER	2						

Fig.4 ENGINE UNIT

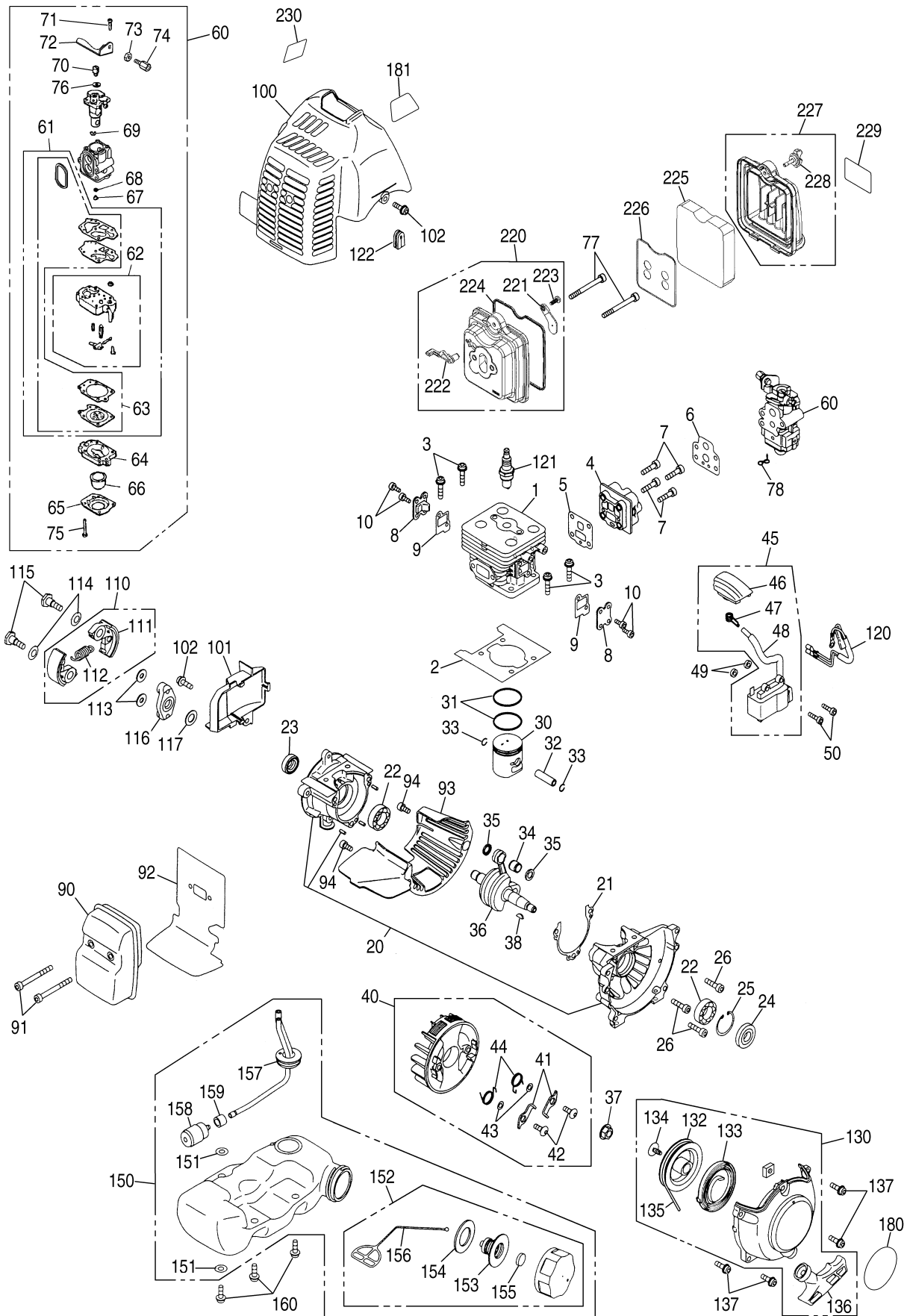




Fig.4 ENGINE UNIT

Key#	PART NUMBER	DESCRIPTION	Q'TY /UNIT	NOTE	Key#	PART NUMBER	DESCRIPTION	Q'TY /UNIT	NOTE
1	T1551-12110	CYLINDER	1		92	848F0115C2	GASKET, muff	1	
2	848F0112B0	GASKET, base	1		93	T1551-15220	PLATE	1	
3	4820-12130	BOLT TORX M5XL22 T27	4		94	4820-12350	BOLT TORX M5xL10 T27	2	
4	848F0014A2	INSULATOR	1						
5	T1551-13121	GASKET, insu	1		100	848F0131A1	COVER, engine	1	
6	848F0314C0	GASKET, carb	1		101	848F0131B1	DEFLECTOR	1	
7	T4950-52001	BOLT TORX M5xL20 T27	4		102	4820-32120	BOLT TORX	2	
8	T1551-16110	COVER, tr	2						
9	T1551-16142	GASKET, tr	2		110	T1700-51100	SHOECOMP.	1	
10	4820-16310	BOLT TORX M4xL10 T27	4		111	T1700-51110	• SHOE	2	
					112	T1700-51220	• SPRING	1	
20	848F012110	CRANKCASECOMP.	1		113	1140-51230	WASHER	2	
21	T1551-21141	GASKET, case	1		114	1970-51241	WASHER	2	
22	06030-06001	BEARING	2		115	848F0151H0	SCREW	2	
23	4810-21210	SEAL	1		116	848F0151G0	PLATE, clutch	1	
24	1850-21220	SEAL	1		117	2850-55211	WASHER	1	
25	04065-02812	RING	1						
26	4820-13180	BOLT TORX M5xL20 T27	3		120	848F017210	CORDCOMP.	1	
					121	3699-91809	SPARK PLUG, Champion RZ7C	1	
30	848F0041A1	PISTON	1		122	4810-72120	GROMMET	1	
31	5910-41210	RING	2						
32	1600-41310	PIN	1		130	848F017511	RECOIL ASSY	1	
33	1260-41320	RING	2						
34	T1551-41410	BEARING	1		132	T1512-75120	• REEL	1	
35	1101-41340	WASHER	2		133	T1501-75130	• SPRING	1	
36	848F014201	CRANKSHAFTCOMP.	1		134	1850-75151	• SCREW	1	
37	1650-43230	NUT M8xP1.0	1		135	T1501-75160	• ROPE	1	
38	1000-43240	KEY	1		136	3330-75421	• KNOB	1	
					137	4820-32120	BOLT TORX	4	
40	848F337111	ROTOR ASSY	1						
41	2841-71120	• PAWL	2		150	848F018501	TANK ASSY	1	
42	2850-71140	• SCREW	2		151	T1501-85120	• PACKING	2	
43	2850-71151	• WASHER 5x10x10	2		152	T1015-85202	• CAP ASSY	1	
44	T1501-71130	• SPRING	2		153	4500-85300	•• HOLDER ASSY	1	
45	T1551-71200	COIL ASSY	1		154	4500-85220	•• PACKING	1	
46	4810-72111	• CAP	1		155	5601-85260	•• FILTER	1	
47	1900-72120	• SPRING	1		156	4820-85260	•• STOPPER	1	
48	2850-71320	• TUBE	1		157	848F018530	• PIPECOMP.	1	
49	1260-71261	SPACER	2		158	3302-85400	• FILTER	1	
50	4820-72150	BOLT TORX M4xL16 T27	2		159	2841-31280	• COLLER	1	
					160	4820-32120	BOLT TORX	3	
60	848F018101	CARBURETOR ASSY	1						
61	848F600630	• REBUILD KIT	1		180	848F0590C0	LABEL, recoil	1	
62	1850-81450	•• BODY ASSY	1		181	848F6190B0	LABEL, cover	1	
63	4810-06021	•• GASKET KIT	1						
64	1850-81490	• BODY	1		220	848F028310	BODY ASSY	1	
65	1850-81520	• COVER	1		221	T1512-82130	• PLATE, choke	1	
66	1751-81510	• PUMP	1		222	T1600-82140	• LEVER	1	
67	848F0181P0	• JET	1		223	T1108-82190	• SCREW	1	
68	1751-81240	• O-RING	1		224	T1513-82120	• PACKING	1	
69	1751-81130	• RING	1		225	848F0383F0	ELEMENT	1	
70	1881-81140	• SWIVEL	1		226	848F0283K0	PLATE	1	
71	1752-81110	• SCREW	2		227	T1513-82200	COVER ASSY	1	
72	5500-81120	• BRACKET	1		228	T1108-82220	• KNOB	1	
73	1751-81180	• NUT	1		229	T1652-82250	LABEL	1	
74	1918-81170	• SCREW	1		230	T2990-21040	LABEL	1	
75	1850-81530	• SCREW	4						
76	5500-81160	• WASHER	1						
77	4820-15310	BOLT TORX M5xL50 T27	2						
78	1950-86120	CLIP	1						
90	848F0115A0	MUFFLER	1						
91	4820-15310	BOLT TORX M5xL50 T27	2						



# **KOMATSU ZENOAH CO.**

1-9 Minamidai, Kawagoe, Saitama, 350-1192 Japan

---

PRINTED IN JAPAN

PRINTED ON RECYCLED PAPER  
IMPRIMÉ SUR PAPIER RECYCLÉ  
GEDRUCKT AUF RECYCLING PAPIER  
STAMPATO SU CARTA RICICLATA  
IMPRESO EN PAPEL RECICLADO