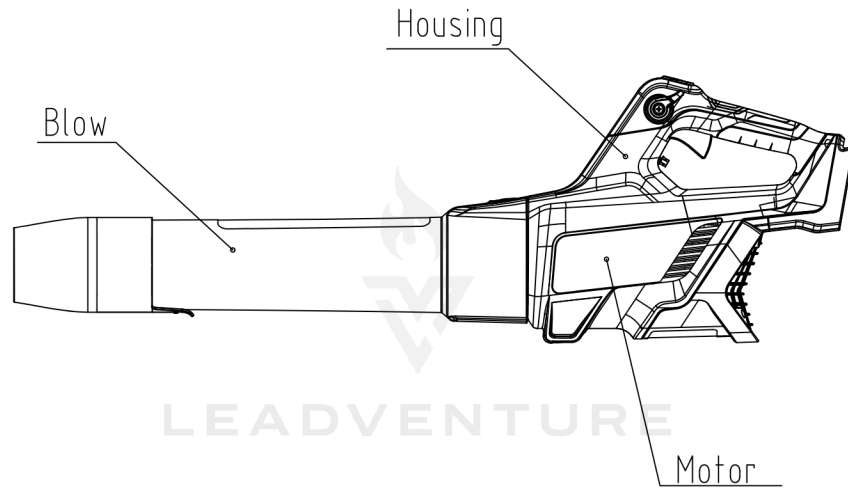


48V Hand Held Blower 48B800
2400786VT

TABLE OF CONTENTS

01 Overview	3
02 Housing	5
03 Motor	7
04 Tube	9

01 Overview



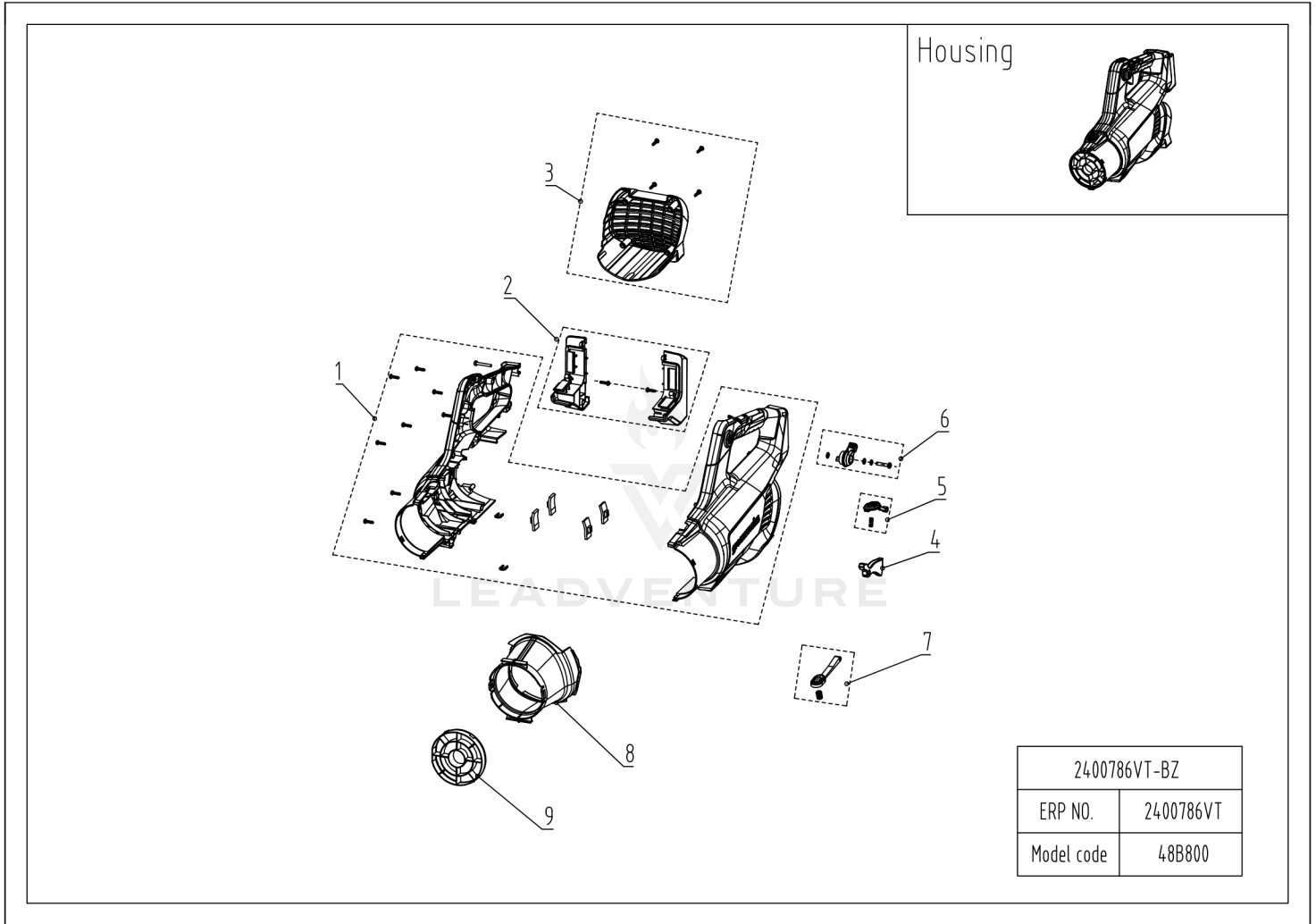
2400786VT-BZ	
ERP NO.	2400786VT
Model code	48B800

Rendered by LeadVenture, Inc.

01 Overview

Ref Number	Part Number	Part Description	Context Notes	Quantity
-------------------	--------------------	-------------------------	----------------------	-----------------

02 Housing

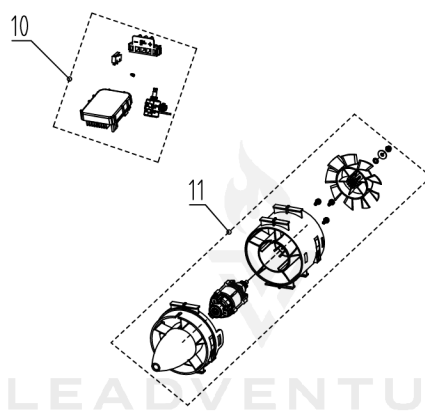
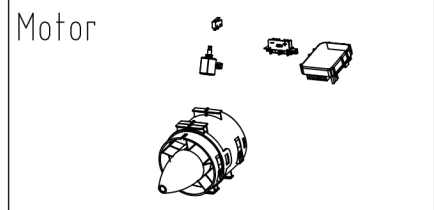


Rendered by LeadVenture, Inc.

02 Housing

Ref Number	Part Number	Part Description	Context Notes	Quantity
1	R0101819-00	Housing Assembly	SET	1
2	R0101820-00	Battery Guide Rail Assembly	SET	1
3	R0101821-00	Rear Windscreen	SET	1
4	RA341031816Q	Switch Trigger	SET	1
5	R0101822-00	Turbo Button Assembly	SET	1
6	R0101823-00	Cruise Control Knob Assembly	SET	1
7	R0101824-00	Air Inlet Guide Pipe		
8	R0101825-00	Snap Ring		
9	R0101826-00	Blow Pipe ButtonAssembly	SET	1

03 Motor



2400786VT-BZ	
ERP NO.	2400786VT
Model code	48B800

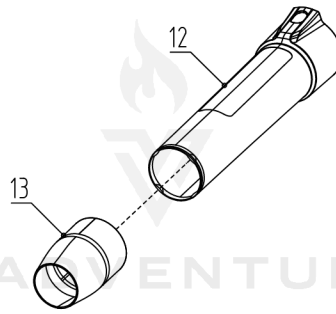
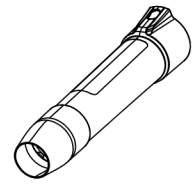
Rendered by LeadVenture, Inc.

03 Motor

Ref Number	Part Number	Part Description	Context Notes	Quantity
10	R0101827-00	PCB controller	SET	1
11	R0101828-00	Motor Air Ducting Assembly	SET	1

04 Tube

Blow



2400786VT-BZ	
ERP NO.	2400786VT
Model code	48B800

Rendered by LeadVenture, Inc.

04 Tube

Ref Number	Part Number	Part Description	Context Notes	Quantity
12	R0101829-00	Blow Pipe		1
13	R0101830-00	Blow Nozzle		1